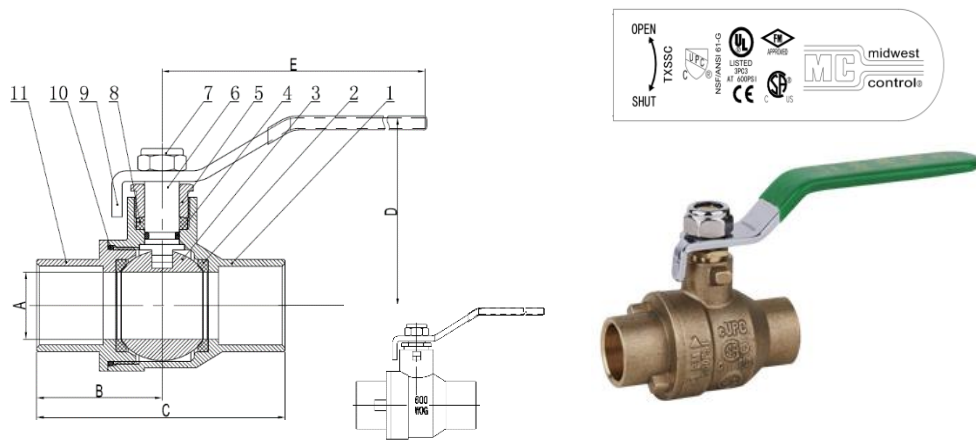


Lead-Free Brass Ball Valves



UL, CSA/CUS, CE, FM and NSF Approved
Meets NSF/ANSI 61-8, NSF/ANSI 372
and IAMPO/ANSI Z1157 Standards
600 PSI CWP 150 WSP Service
Suitable for Vacuum Service Up to 29" Hg
Approved for Use In Potable Water Service
Full Port
Temperature Range : -20° F to 365° F
Construction: Forged Brass Body
Blow Out Proof Brass Stem
Stainless Steel Ball
PTFE Ball Seat and Viton® O-Ring
Chrome-Plated Steel Handle w/Vinyl Grip
Solder End Connections
ISO Registered Factory
MSS SP-110 Approved
RoHs Compliant



| Part No. | Solder | A (In) | B (In) | C (In) | D (In) | E (In) | CV | Wt. (lbs.) | Carton Qty |
|-----------|--------|--------|--------|--------|--------|--------|-------|------------|------------|
| CCB-50NL | 1/2" | 0.59 | 1.14 | 2.17 | 1.81 | 3.46 | 18.55 | 0.41 | 80 |
| CCB-75NL | 3/4" | 0.75 | 1.42 | 2.81 | 2.09 | 4.29 | 29.76 | 0.67 | 48 |
| CCB-100NL | 1" | 0.98 | 1.66 | 3.34 | 2.25 | 4.29 | 51.55 | 1.00 | 36 |

| Part No. | Description | Material |
|----------|-----------------|---------------------|
| 1 | Ball Valve Body | Brass C46400 |
| 2 | Ball Seat | PTFE |
| 3 | Ball | SS304 |
| 4 | O-Ring | NBR |
| 5 | Packing Nut | Brass C37700 |
| 6 | Stem | Brass C37700 |
| 7 | Lock Handle Nut | Ferrum /Zinc-Plated |
| 8 | Ball Packing | PTFE |
| 9 | Handle | Chrome-Plated Steel |
| 10 | O-Ring | Viton® |
| 11 | Ball Valve Cap | Brass C46400 |



WARNING: This product can expose you to chemicals, including lead, which is known to the State of California to cause cancer and reproductive harm. For more information go to www.P65Warnings.CA.gov

Drawing Date: 5/2014
Rev. Level-Date: R6 10/2020

Pressure Temperature Curve
CCB FBB FPC LBV MBB MPC MLBV and F600 Series

