

FG 8 Centrifugal Inline Fan

Item #: 40408

Variant : 120V 1~ 60Hz



Description

A multi-purpose inline duct fan for exhaust or supply air; ideal for commercial and residential ventilation applications. Customers benefit from the seamless, leak-free design, low noise operation, easy installation and reduce maintenance requirements, ensuring project cost and timelines are optimized. The fan is suitable for indoor applications and can be mounted at any angle in any point along the ductwork.

- Airflow 410 cfm at 0.2" Ps
- Mounting bracket and hardware included
- Suitable with indoor installations
- Speed controlled with solid-state speed controller WC15 or ON/OFF push-button 60 min timer FD60EM
- 5-year factory warranty

The...

[Find more details in our online catalogue](#)

Technical parameters

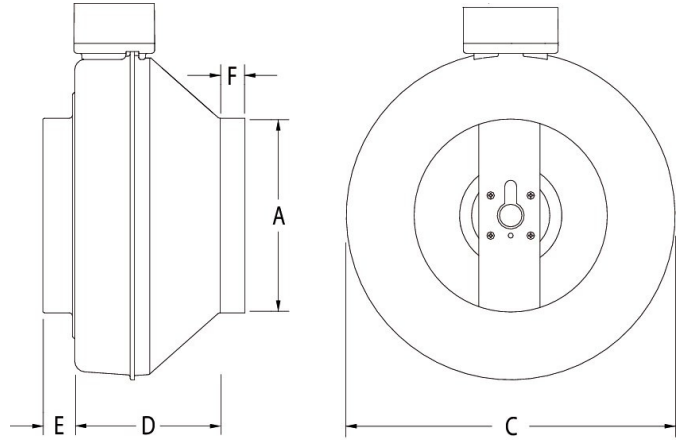
Nominal data	
Voltage (nominal)	120 V
Frequency	60 Hz
Phase(s)	1~
Input power	116 W
Input current	0.99 A
Impeller speed	2,618 r.p.m.
Air flow	max 462 cfm
Temperature of transported air	max 140 °F
Max temperature of transported air, when speed controlled	140 °F
Protection/Classification	
Enclosure class, motor	IP44
Insulation class	B
Dimensions and weights	
Duct dimension; Circular, inlet	8 in.
Duct dimension; Circular, outlet	8 in.
Weight	8.2 lb
Optional	
Duct connection type	Circular

Performances

CFM Table

Model	0" Ps	0.2" Ps	0.4" Ps	0.6" Ps	0.8" Ps	1.0" Ps	1.5" Ps	2.0" Ps
FG 4	135	110	83	55	25	-	-	-
FG 6XL	483	450	409	369	329	289	201	-
FG 8	461	410	351	295	243	191	97	14
FG 10	513	480	444	407	366	324	216	90
FG 12	741	680	601	515	434	363	236	141
FG 12XL	940	880	819	746	670	596	425	400

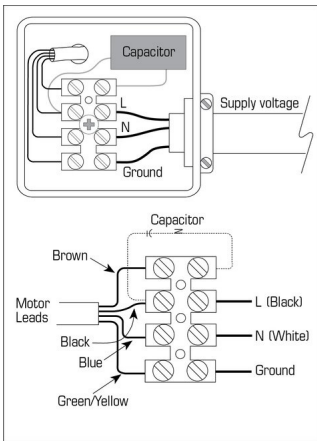
Dimensions



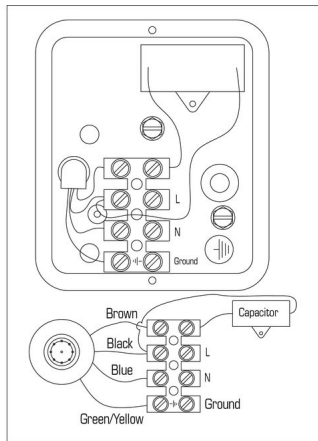
Model	A	C	D	E	F
4	4 (101)	8 1/2 (216)	6 1/2 (165)	1 (25)	1 (25)
4XL	4 (101)	9 3/4 (248)	6 15/16	1 (25)	1 (25)
5	5 (127)	8 5/8 (219)	6 1/2 (165)	1 (25)	1 (25)
5XL	5 (127)	9 3/4 (248)	6 (152)	1 1/8 (29)	1 1/8 (29)
6	6 (152)	11 3/8 (289)	6 1/4 (159)	1 (25)	7/8 (22)
6XL	6 (152)	13 1/8 (333)	7 (178)	1 (25)	1 (25)
6M	6 (152)	13 1/8 (333)	7 (178)	1 (25)	1 (25)
8, 8XL	8 (203)	13 1/4 (337)	6 (152)	1 1/8 (29)	1 (25)
10	10 (254)	13 1/4 (337)	4 3/4 (121)	1 1/8 (29)	1 (25)
10XL	10 (254)	13 1/4 (337)	4 13/16 (122)	1 1/4 (32)	1 (25)
12, 12XL	12 (305)	16 (406)	6 11/16 (170)	1 1/2 (38)	1 (25)

Dimensions are in inches (mm).

Wiring



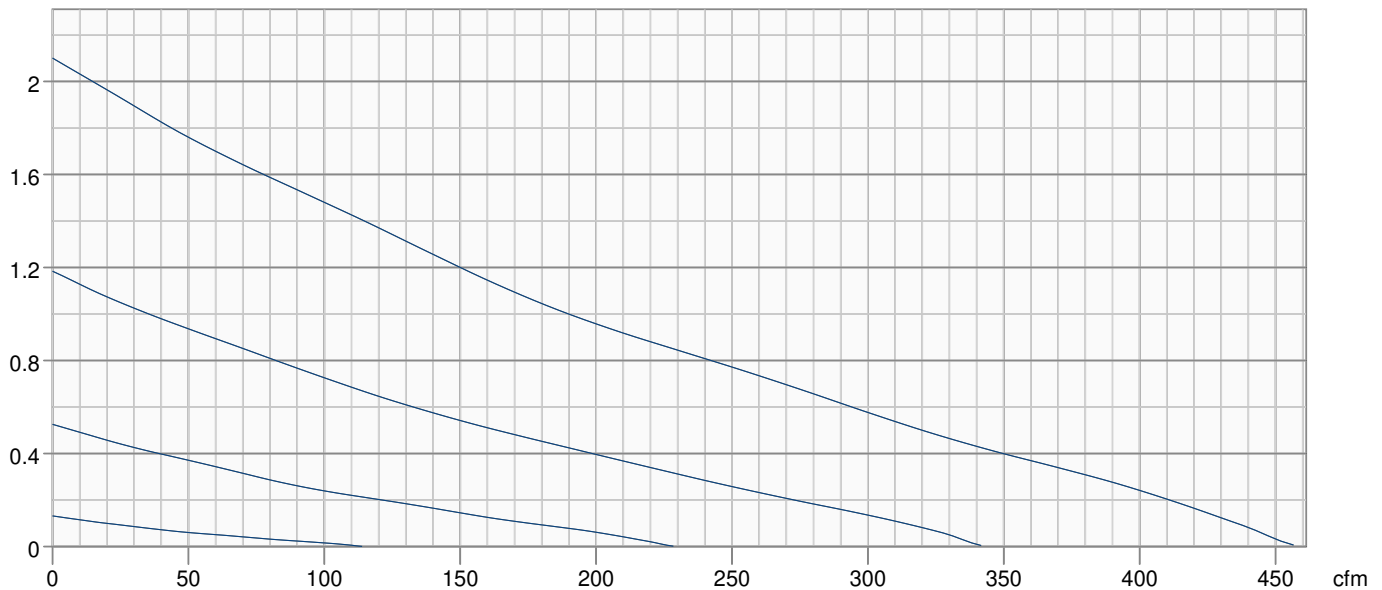
3 wire motor



4 wire motor

Performance curve

in. wg.



Hydraulic data

Required air flow	-
Required static pressure	-
Working air flow	-
Working static pressure	-
Air density	0.075 lb/ft³
Power	-
Fan control - RPM	-
Current	-
Airflow efficiency	-
Control voltage	-
Supply voltage	-

Accessories

FAT10 Attic Thermostat (411233)
 IPF05 Fan Speed Control (5A) (484164)
 VT20M Pgrm Fan Main Ctrl (45386)
 FML 8 Metal Hood Supply Air (45148)
 HL 36 Kitchen Hood Liner (56047)
 RSK 8 Backdraft Damper (411115)
 FC 8 Mounting Clamps (2 pcs) (411121)
 IG 8 Inlet Guard (411127)
 LD 8 Silencer (411125)
 MGS 6 Metal Supply Grill (411242)
 PBH4 Bath Fan Grill w/ Hal (412262)
 PBL74 Bath Fan Grill w/ LED (44951)
 PBV6 Bath Fan Grill (412261)

FD60EM Electronic Timer Switch (411386)
 IPHS5 Humidity / Fan Control (156040)
 WC 15 Speed Control (5A) (411102)
 HL 30 Kitchen Hood Liner (56048)
 HL 42 Kitchen Hood Liner (56046)
 ADC 8 Shut-off Damper w Motor (44690)
 FGR 8" Filter Cassette (44684)
 IR 8 Iris Damper (411237)
 MGE 8 Metal Exhaust Grill (411244)
 MGS 8 Metal Supply Grill (411243)
 PBL10-4 Bath Fan Grill w/ LED (44952)
 PBV4 Bath Fan Grill (412260)

Documents

450369 FG Submittal Sheet EN.pdf
 400017 FG OIPM EN FR ES.PDF
 40408.dxf