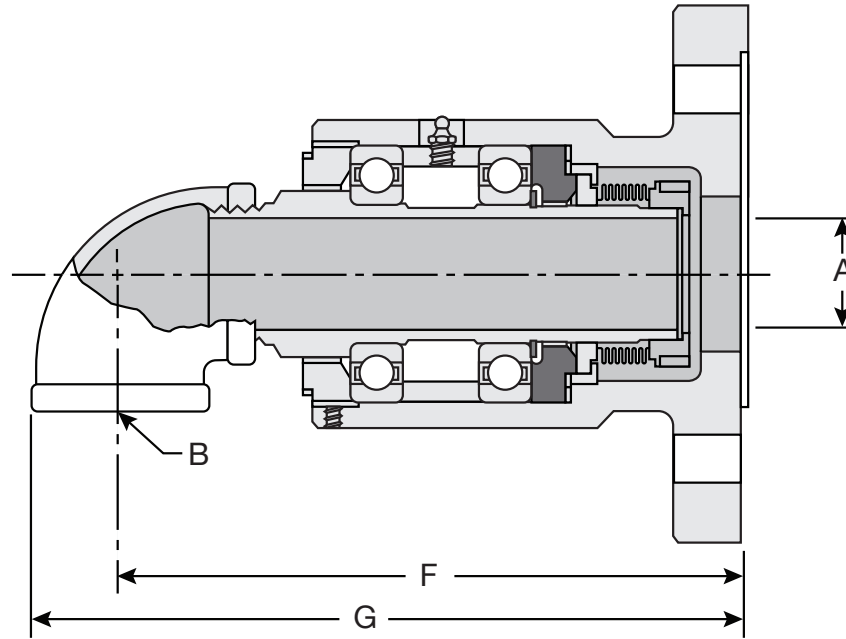


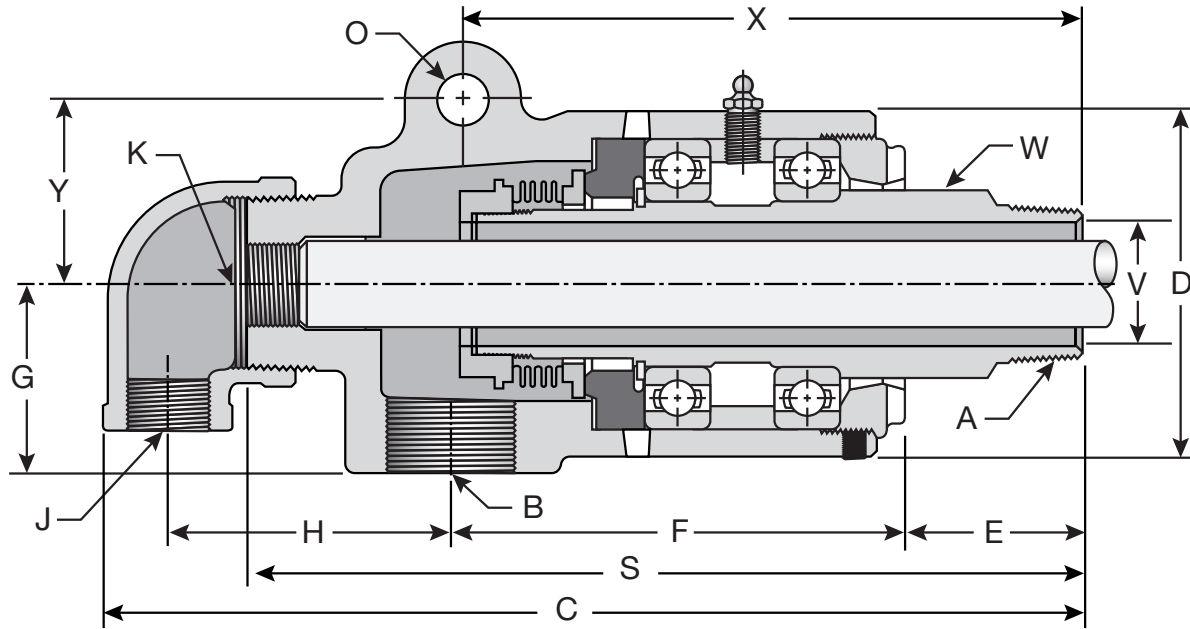
Dimensions - 9000 Series Rotary Unions • Mono Flow (Inch)

Nominal Pipe Size	Thread (A)	Inlet B (NPT)	C	D	E	F	G	V	W	O	Y	X
1/4	1/4 NPT	1/4	4-3/8	1-3/4	1-1/8	2-9/16	1-1/16	1/4	5/8	—	—	—
	9/16-18 MT											
	5/8-18 MT											
3/8	3/8 NPT	3/8	4-3/8	1-3/4	1-1/8	2-9/16	1-1/16	3/8	11/16	—	—	—
	5/8-18 MT											
1/2	1/2 NPT	1/2	5	2-3/8	1-1/2	2-3/4	1-1/4	1/2	15/16	—	—	—
	3/4-16 MT											
	7/8-14 MT											
	3/4-14 MT											
3/4	3/4 NPT	3/4	5-1/2	2-1/2	1-5/8	3	1-7/16	3/4	1-3/4	—	—	—
	1-14 MT											
1	1 NPT	1	6-1/8	3	1-3/4	3-3/8	1-3/4	1	1-11/32	—	—	—
	1-1/4-12 MT											
1-1/4	1-1/4 NPT	1-1/4	9-1/16	3-3/4	2-1/16	4-13/16	2-3/16	1-1/4	1-11/16	5/8	2	6-7/8
	1-5/8-8 MT		8-15/16		1-15/16							6-3/4
	1-5/8-12 MT											
1-1/2	1-1/2 NPT	1-1/2	9-11/16	4/18	2-3/16	5-1/4	2-3/16	1-1/2	1-15/16	5/8	2-1/4	7-3/4
	2-8 MT		10-1/4		2-3/4							7-15/16
	2-12 MT											
2	2 NPT	2	11-3/4	5-7/8	2-7/16	6-7/8	2-5/8	2	2-9/16	5/8	2-3/4	8-9/16
2-1/2	2-1/2 NPT	2-1/2	13-7/8	6-1/2	3-1/2	7-3/16	3-3/8	2-1/2	3	—	—	—
3	3 NPT	3	15-3/8	7-1/8	3-1/2	8-5/16	3-7/8	3	3-5/8	—	—	—
	3-1/2-8 MT		15-3/4		3-7/8							



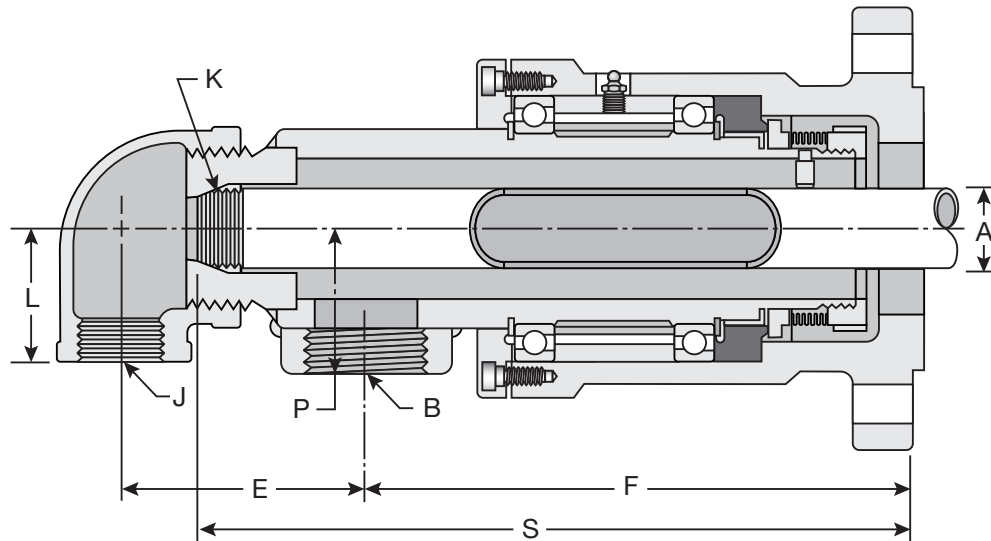
Dimensions - Mono Flow (Inch) • Flanged

Nominal Pipe Size	Shaft ID (A)	Inlet (B)	F	G	Description	Repair Cartridge
1-1/4	1-1/4	1-1/4 NPT	8-7/16	9-1/2	570P-1-U	Consult Factory
1-1/2	1-1/2	1-1/2 NPT	8-13/16	10-1/8	670P-1-U	
2	2	2 NPT	10-5/8	12-1/16	770P-1-U	
2-1/2	2-3/8	2-1/2 NPT	12	13-13/16	870P-1-U	
3	2-7/8	3 NPT	14-1/16	16-1/4	970P-1-U	
4	4	4 Flange	438 mm	Consult Factory	1070-P-U	
5	5	5 Flange	545 mm		1170-P-U	



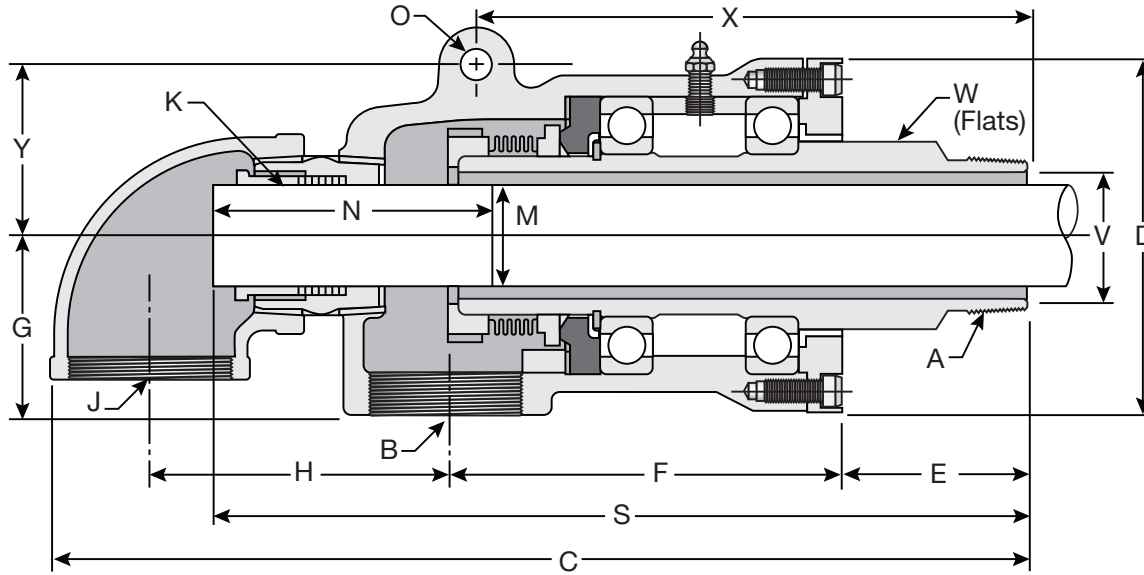
Dimensions - 9000 Series Rotary Unions • Dual Flow • Stationary Siphon Pipe (Inch)

Nominal Pipe Size	Shaft Thread (A)	Inlet (B)	Outlet (J)	Siphon K (NPSM)	C	D	E	F	G	H	S	V	W	O	Y	X
1/2	1/2 NPT	1/2	1/2	1/8	7-1/4	2-3/8	1-1/2	2-3/4	1-1/4	2-1/8	6	1/2	15/16	—	—	—
	3/4-16 MT															
	7/8-14 MT															
3/4	3/4 NPT	3/4	1/2	1/4	7-3/4	2-1/2	1-5/8	3	1-7/16	2-3/8	6-3/8	3/4	1-1/8	—	—	—
	1-14 MT															
1	1 NPT	1	1/2	3/8	8-1/2	3	1-3/4	3-3/8	1-3/4	2-5/8	7-1/8	1	1-3/8	—	—	—
1-1/4	1-1/4 NPT	1-1/4	1/2	1/2	10-5/8	3-3/4	2-1/8	4-13/16	2	—	8-7/8	1-1/4	1-11/16	5/8	2	6-3/4
	1-5/8-8 MT				10-7/8		2				8-3/4					
	1-5/8-12 MT															
1-1/2	1-1/2 NPT	1-1/2	3/4	3/4	11-3/8	4-1/8	2-3/16	5-1/4	2-3/16	—	9-9/16	1-1/2	1-15/16	5/8	2-1/4	7-3/8
	2-8 MT				11-15/16		2-3/4				10-1/8					7-15/16
	2-12 MT															
2	2 NPT	2	1	3/4	13-7/8	5-7/8	2-7/16	6-1/2	2-5/8	—	11-1/2	2	2-9/16	5/8	2-3/4	8-9/16
2-1/2	2-1/2 NPT	2	1	1	16-7/8	6-1/2	3-1/2	7-1/4	3-3/8	—	14	2-1/2	3	—	—	—
3	3 NPT	2-1/2	1-1/4	1-1/4	18-3/4	7-1/8	3-1/2	8-5/16	3-7/8	—	15-5/8	3	3-5/8	—	—	—



Dimensions - Dual Flow • Flanged • Stationary Siphon Pipe (Inch)

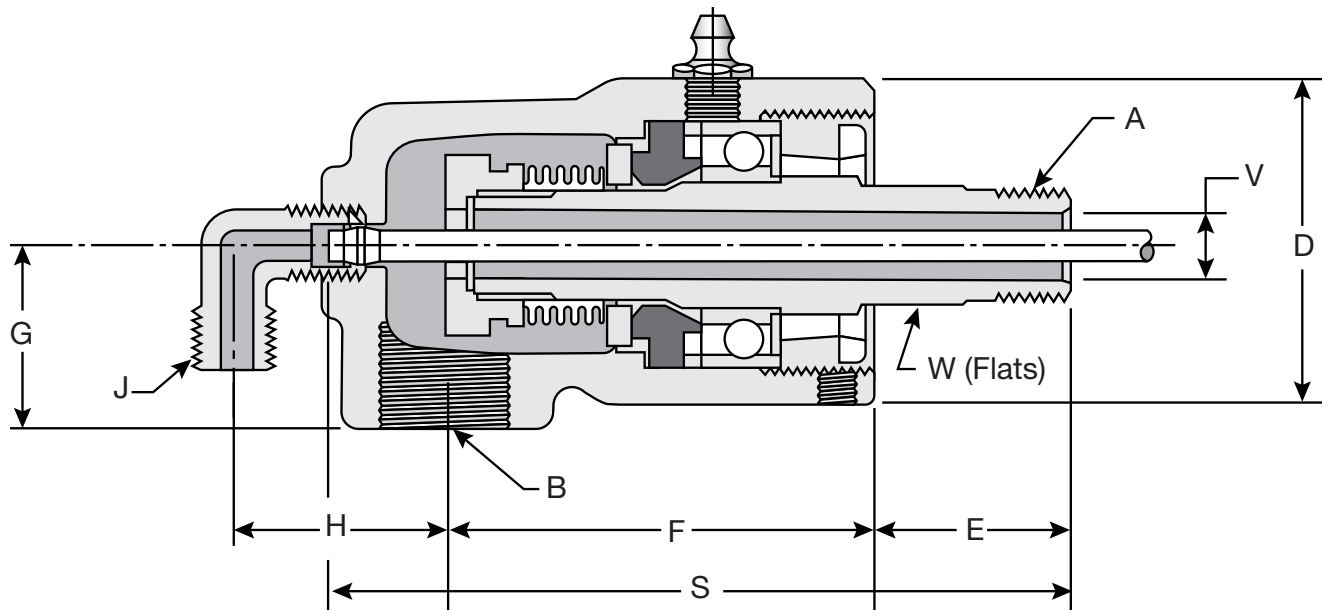
Nominal Pipe Size	Shaft ID (A)	Inlet B (NPT)	Outlet J (NPT)	Siphon Tap K (NPSM)	E	F	S	L	P	Description
1-1/4	1-1/4	1	1/2	1/2	2-3/4	7-1/16	8-7/8	1-5/8	1-5/8	570S-1-U
1-1/2	1-1/2	1-1/4	3/4	3/4	3-3/8	7-11/16	9-15/16	1-13/16	1-13/16	670S-1-U
2	2	1-1/2	1	3/4	3-13/16	9-1/16	11-1/2	2-1/16	2-1/16	770S-1-U
2-1/2	2-3/8	2	1-1/4	1	4-3/4	10-5/16	13-9/16	2-5/8	2-5/8	870S-1-U
3	2-7/8	2-1/2	1-1/4	1-1/4	5-1/4	11-7/8	15-1/2	2-7/8	3-1/16	970S-1-U
4	4	Consult Factory			—	—	—	—	—	1070-S-U
5	5	Consult Factory			—	—	—	—	—	1170-S-U



Dimensions - 9000 Series Rotary Unions • Dual Flow Rotating Siphon (Inch)

Nominal Pipe Size	Shaft Thread (A)	Inlet (B)	Outlet (J)	Siphon (K)	C	D	E	F	G	H	M	N	O	S	V	W	X	Y
1/2	1/2 NPT	1/2	1/2	1/4 Tube	7-1/4	2-3/8	1-1/2	2-3/4	1-1/4	2-1/8	0.249 to 0.252	1-5/8	—	6-1/4	1/2	15/16	—	—
	3/4-14 MT																	
	3/4-16 MT																	
	7/8-14 MT																	
3/4	7/8-16 MT	3/4	1/2	1/4 Pipe	7-3/4	2-1/2	1-5/8	3	1-7/16	2-3/4	0.522 to 0.528	1-3/4	—	6-13/16	3/4	1-1/8	—	—
	3/4 NPT																	
1	1-14 MT	1	1/2	3/8 Pipe	8-1/2	3	1-3/4	3-3/8	1-3/4	2-5/8	0.657 to 0.663	2	—	7-11/16	1	1-3/8	—	—
	1 NPT																	
1-1/4	1-1/4 NPT	1-1/4	1/2	1/2 Pipe	10-5/8	3-3/4	2-1/8	4-13/16	2	3	0.803 to 0.808	3	5/8	9-7/16	1-1/4	1-11/16	6-7/8	2
	1-5/8-12 MT				10-1/2		2							9-5/16			6-3/4	
1-1/2	1-1/2 NPT	1-1/2	3/4	3/4 Pipe	11-3/8	4-1/8	2-3/16	5-1/4	2-3/16	3-1/4	0.991 to 0.997	3-1/4	5/8	10-1/8	1-1/2	1-15/16	7-3/8	2-1/4
	2-12 MT				11-15/16		2-3/4							10-3/4			7-15/16	
	2-8 MT																	
2	2 NPT	2	1	3/4 Pipe	13-7/8	5-7/8	2-7/16	6-1/2	2-5/8	4-1/16	0.991 to 0.997	3-1/4	5/8	12-1/8	2	2-9/16	8-9/16	2-3/4
2-1/2	2-1/2 NPT	2	1-1/4	1 Pipe	16-7/8	6-1/2	3-1/2	7-1/4	3-3/8	5	1.241 to 1.247	3-3/4	—	14-11/16	2-1/2	3	—	—
3	3 NPT	2-1/2	1-1/4	1-1/4 Pipe	18-3/4	7-1/8	3-1/2	8-5/16	3-7/8	5-1/2	1.615 to 1.621	4-1/4	—	16-3/8	3	3-5/8	—	—

9000 Series Dual Flow Compression Fitting
Siphon Rotary Union



Dimensions - Dual Flow • Compression Fitting Siphon (Inch)

Nominal Pipe Size	Thread A (NPT)	Inlet B (NPT)	Outlet J	Siphon Tube Size	D	E	F	G	V	W	S	H
1/4	1/4	1/4	1/8 Male	1/8	1-3/4	1-1/8	2-9/16	1-1/16	1/4	5/8	4-7/16	1-1/4
				3/16								
3/8	3/8	3/8	1/8 Male	1/8	1-3/4	1-1/8	2-9/16	1-1/16	3/8	11/16	4-7/16	1-1/4
				3/16								
1/2	1/2	1/2	1/2 NPT	3/8	2-3/8	1-1/2	2-3/4	1-1/4	1/2	15/16	6-3/8	2-1/8
3/4	3/4	1/2	1/2 NPT	1/2	2-1/2	1-5/8	3	1-7/16	3/4	1-1/8	6-7/8	5-5/16
1	1	1	3/4 NPT	5/8	3	1-3/4	3-3/8	1-3/4	1	1-3/8	7-3/4	2-9/16