

PIPE NIPPLES & COUPLINGS



● **Steel Pipe Nipples: SCH#40, SCH#80 & SCH#160**



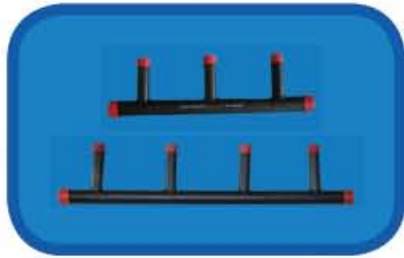
● **Red Brass Pipe Nipples: SCH#40, SCH#80**

● **Stainless Steel Pipe Nipples: #304/L, #316/L**



● **Insert Hose Adapter**

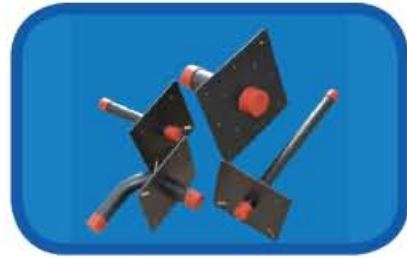
● **Steel Pipe Branchlet Header**



● **Syphon**

● **Special Pipe Nipples**

● **Dielectric Nipples & Unions**



● **Steel Standard & Half Couplings**

● **Steel Extra-Heavy Couplings**

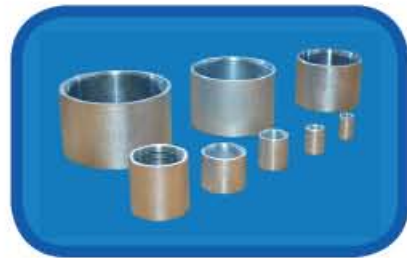
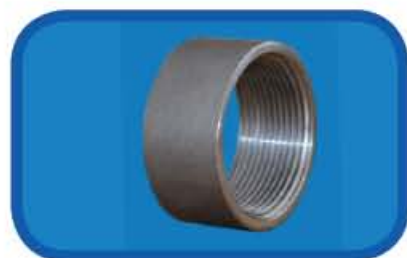
● **Full & Half Couplings: #3000 & #6000**

● **Steel L/R Couplings**

● **Stainless Steel Couplings: #304 & #316**

● **RMC Couplings**

● **Welding Outlets**



STEEL PIPE NIPPLES

● Standard Steel Pipe Nipples (Diameter 1/8"– 8"), SCH#40



American Standard: ASTM A733

Pipe: ASTM A53 (Welded)

Pipe: ASTM A106 (Seamless)

Threads: ANSI/ASME B1.20.1

DIN Standard: DIN2982

Pipe: DIN 2440

Threads: DIN 2999

British Standard: BS EN 10241

Pipe: BS 1387

Threads: ISO 7/1

Low Lead with NSF-61

Thread x Thread, Thread One End, Thread x Grooved, Grooved x Grooved & L/R Threads available

American Standard Bulk Package 1 for SCH#40													Pcs: Master/Inner	
Length (inch)	Nominal Pipe Sizes (inch)													
	1/8	1/4	3/8	1/2	3/4	1	1 1/4	1 1/2	2	2 1/2	3	4	6	
Close Length	3/4	7/8	1	1 1/8	1 3/8	1 1/2	1 5/8	1 3/4	2	2 1/2	2 5/8	2 7/8	3 1/8	
Close						300/25	150/25	100/25	75/25	40	30	20	5	
1 1/4					400/25									
1 1/2		600/25	600/25	600/25										
2														
2 1/2	600/25					300/25	200/25	150/25	75/25					
3			400/25	400/25						50/25				
3 1/2					200/25	150/25		100/25		50/25	40	20	15	
4		400/25		300/25					50/25	40	30	15	10	
4 1/2			300/25		150/25	100/25				40	30	15	8	
5						100/25			75/25	40	20	15	8	
5 1/2	400/25	300/25		200/25	100/25		75/25		50	30	20	15	8	
6			200/25						50/25	50	30	20	10	
7										40	20	20	7	
8	200/25	200/25		100/25	75/25				50/25	40	20	10	7	
9			150/25							30	20	10	7	
10									50/25	40	30	20	10	
11	150/25	150/25	100/25	75/25	50/25					40	20	15	10	
12										30	20	15	10	

Available Packages for both Retail and Wholesale

Bar Coded Nipples with Display Boxes

Bar Coded Nipples with Bags

Bulk Nipples (25 pieces per inner box)

Single Nipple Runs (1 piece each Close to 6")

Handy Nipple Tote Kits



● Extra Heavy Seamless/Welded Steel Pipe Nipples SCH#80, Lead Free

● XXH Seamless Pipe Nipples SCH#160, Lead Free

RED BRASS PIPE NIPPLES

● Red Brass Pipe Nipples (Diameter 1/8"– 6"), SCH#40



American Standard: ASTM B687

Pipe: ASTM B43

Threads: ANSI/ASME B1.20.1

NSF-61 & Lead Free

Thread x Thread & Thread One End available

● Red Brass Pipe Nipples, SCH#80

NSF-61 & Lead Free



● Chrome Plated Pipe Nipples for Both Steel & Brass

American Standard Bulk Package 2 for SCH#80											Pcs: Master/Inner		
Length (inch)	Nominal Pipe Sizes(inch)												
	1/8	1/4	3/8	1/2	3/4	1	1 1/4	1 1/2	2	2 1/2	3	4	6
Close Length	3/4	7/8	1	1 1/8	1 3/8	1 1/2	1 5/8	1 3/4	2	2 1/2	2 5/8	2 7/8	3 1/8
Close						150/25	75/25	50/25	40	20	15	10	3
1 1/4			300/25	300/25	200/25								
1 1/2		300/25											
2	300/25					150/25	100/25	75/25	40				
2 1/2				200/25	200/25				25				
3			200/25			100/25	75/25			25	20	10	8
3 1/2								50/25		20	15	8	5
4		200/25		150/25						20	15	8	5
4 1/2			150/25			50/25				20	15	8	4
5							40		25	20	10	8	4
5 1/2	200/25	150/25		100/25	50/25					15	10	8	4
6			100/25			40				15	10	5	4
7								25	20	10	10	4	2
8	100/25	100/25		50/25	40				20	10	5	4	2
9			75/25						15	10	5	4	2
10						25			20	15	10	5	3
11	75/25	75/25	50/25	40	25				20	10	8	5	3
12									15	10	8	5	3

STAINLESS STEEL PIPE NIPPLES

● Stainless Steel Pipe Nipples (Diameter 1/8" – 6"), SCH#40 & SCH#80

American Standard: ASTM A733

Pipe: ASTM A312

Threads: ANSI/ASME B1.20.1

DIN/British Standard: DIN EN1024

Pipe: DIN 17457

Threads: DIN 2999/ ISO 7-1



Material for SCH#40: 304, 316, 304L & 316L

Material for SCH#80: 304 & 316

Thread x Thread & Thread One End available

DIN/British Standard Bulk Package 3 for SCH#40											Pcs: Master/Inner	
Length	Nominal Pipe Sizes											
(inch)	1/8"	1/4"	3/8"	1/2"	3/4"	1"	1 1/4"	1 1/2"	2"	2 1/2"	3"	4"
mm	6	8	10	15	20	25	32	40	50	65	80	100
30	1200	800	600	400	300	240						
40	1200	800	600	400	300	240	120	100	80			
50	800	600	400	400	240	180	120	100	80			
60	800	600	400	300	240	180	100	80	60	40		
70	600	400	300	300	180	120	100	80	60	40	24	
80	600	400	300	200	180	120	80	60	50	30	24	12
90	400	400	240	200	140	100	80	60	50	30	20	12
100	400	300	240	200	140	100	80	50	40	20	20	8
110	400	300	200	160	120	80	60	50	40	20	16	8
120	360	240	200	160	120	80	60	40	30	20	16	8
140	360	240	160	120	100	60	50	40	30	15	12	6
150	300	200	160	120	100	60	50	30	30	15	12	6
160	300	200	120	100	80	50	40	30	20	15	12	6
180	300	160	120	100	80	50	40	30	20	15	8	6
200	200	160	120	100	60	40	30	20	20	10	8	4
250	200	120	80	60	60	40	30	20	12	10	8	4
300	200	120	80	60	50	30	24	18	12	6	4	2

READY CUT PIPES

● Ready Cut Pipes, both Seamless and Welded

American Standard: ASTM A733 (Steel)

Pipe: ASTM A53 ASTM B43

Threads: ANSI/ASME B1.20.1

Diameter: 1/8"-6"

Length: 18"-21'

ASTM B687 (Brass)

ASTM A53 ASTM B43

ANSI/ASME B1.20.1



American Standard Bulk Package 4 for Cut Pipe													Pcs/Bundle	
Length	Nominal Pipe Sizes (inch)													
(inch)	1/8	1/4	3/8	1/2	3/4	1	1 1/4	1 1/2	2	2 1/2	3	4	6	
18	5	5	5	5	5	3	3	3	3	2	2	2	2	
24	5	5	5	5	5	3	3	3	3	2	2	2	2	
30	5	5	5	5	5	3	3	3	3	2	2	2	2	
36	5	5	5	5	5	3	3	3	3	2	2	2	2	
48	5	5	5	5	5	3	3	3	3	2	2	2	2	
60	5	5	5	5	5	3	3	3	3	2	2	2	2	
72	5	5	5	5	5	3	3	3	3	2	2	2	2	
120	5	5	5	5	5	3	3	3	3	2	2	2	2	

DIN/British Standard Bulk Package 5 for Cut Pipe													Pcs/Bundle	
Length	Nominal Pipe Sizes (inch)													
inch	1/8	1/4	3/8	1/2	3/4	1	1 1/4	1 1/2	2	2 1/2	3	4		
mm	6	8	10	15	20	25	32	40	50	65	80	100		
400	5	5	5	5	5	3	3	3	3	2	2	2		
500	5	5	5	5	5	3	3	3	3	2	2	2		
600	5	5	5	5	5	3	3	3	3	2	2	2		
700	5	5	5	5	5	3	3	3	3	2	2	2		
800	5	5	5	5	5	3	3	3	3	2	2	2		
1000	5	5	5	5	5	3	3	3	3	2	2	2		
1500	5	5	5	5	5	3	3	3	3	2	2	2		
2000	5	5	5	5	5	3	3	3	3	2	2	2		
2500	5	5	5	5	5	3	3	3	3	2	2	2		

SPECIAL PACKING

● Cut Pipe Rack

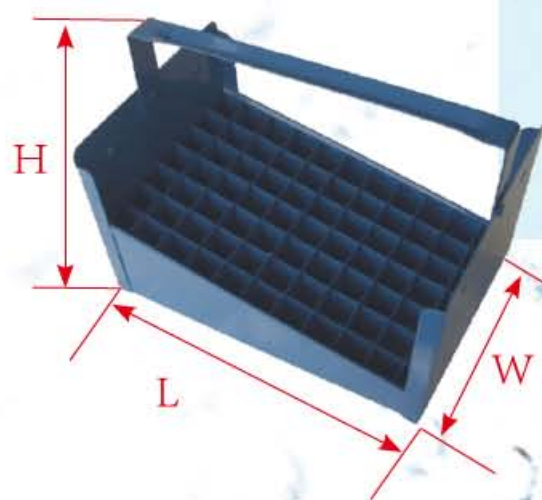
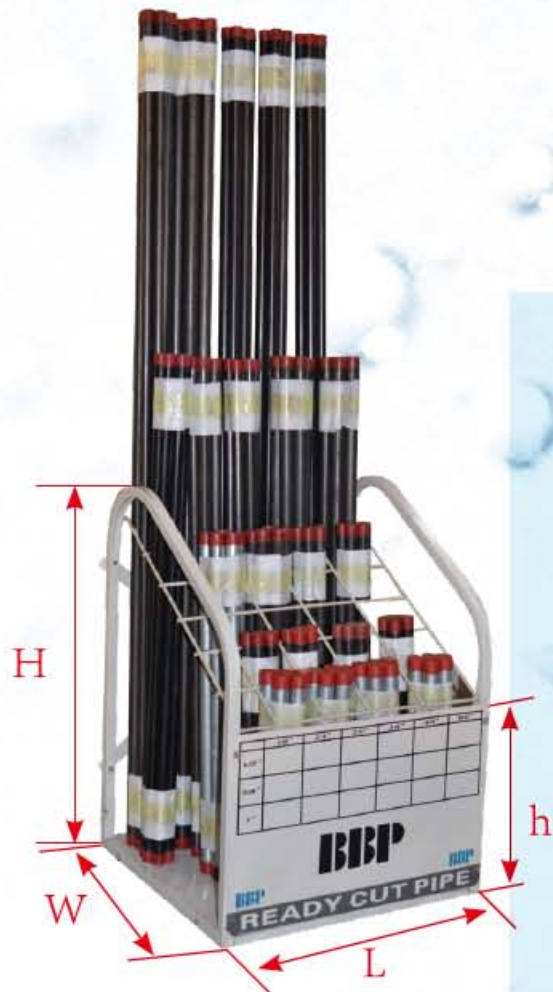
Part No.	L(mm)	W(mm)	h(mm)	H(mm)	Weight(Kgs)
CPR01	578	498	355	701	8.80
CPR02	716	776	365	875	17.01

Part No.CPR01

Size (inch)	Length(inch)					
	18	24	30	36	48	60
1/2	5	5	5	5	5	5
3/4	5	5	5	5	5	5
1	3	3	3	3	3	3

Part No.CPR02

Size (inch)	Length(inch)					
	18	24	30	36	48	60
3/8	5	5	5	5	5	5
1/2	5	5	5	5	5	5
3/4	5	5	5	5	5	5
1	3	3	3	3	3	3
1 1/4	3	3	3	3	3	3
1 1/2	3	3	3	3	3	3
2	3	3	3	3	3	3



● Steel Tote Tray:

PART NO.	Size	L(MM)	W(MM)	H(MM)	Weight(Kgs)
STT01	1/2"	263	177	216	2.11
STT02	3/4"	334	191	212	2.35
STT03	1"	365	226	222	2.74

STT01: Can carry 1/2" diameter 7 each Close, 1-1/2", 2", 2-1/2", 3", 3-1/2", 4", 4-1/2", 5", 5-1/2" and 6" length

STT02: Can carry 3/4" diameter 6 each Close, 1-1/2", 2", 2-1/2", 3", 3-1/2", 4", 4-1/2", 5", 5-1/2" and 6" length

STT03: Can carry 1" diameter 6 each Close, 2", 2-1/2", 3", 3-1/2", 4", 4-1/2", 5", 5-1/2" and 6" length



● Special Packing

INSERT HOSE ADAPTER



● Insert Hose Adapter

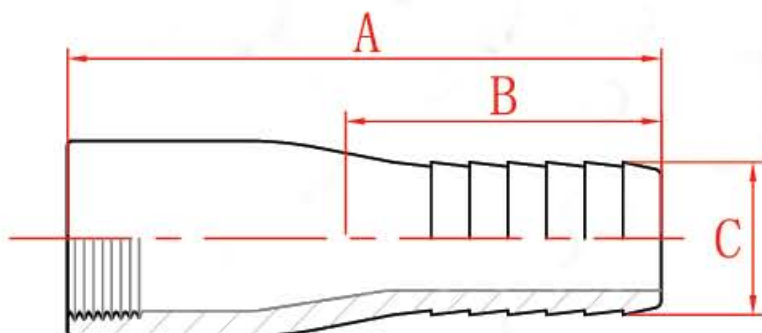
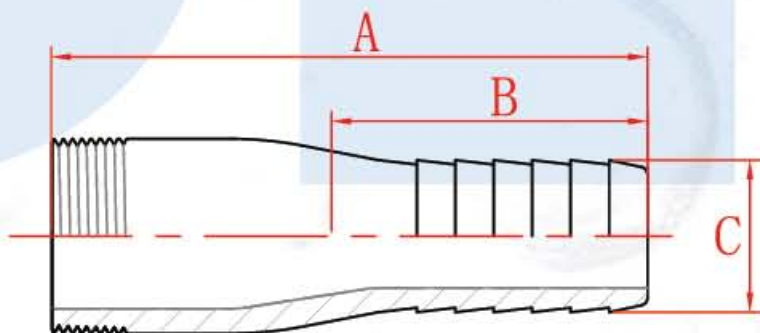
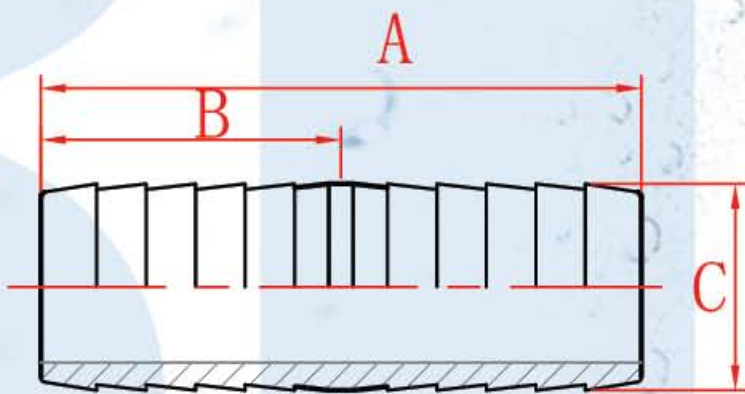
Insert Couplings: Steel, Stainless & Brass

Male Adapters: Steel, Stainless, Brass & Aluminum

Female Adapters: Steel, Stainless, Brass & Aluminum



Steel & Red Brass Insert Hose Adapter



PART NO.	SIZE	A	B	C
		In.	In.	In.
IHA025MP	1/4"	2.13	1.06	0.33
IHA038MP	3/8"	2.59	1.28	0.41
IHA050MP	1/2"	3.00	1.47	0.53
IHA058MP	5/8"	3.50	1.72	0.66
IHA075MP	3/4"	4.03	1.83	0.78
IHA100MP	1"	4.03	1.83	1.03
IHA125MP	1 1/4"	4.03	1.83	1.28
IHA150MP	1 1/2"	4.00	2.00	1.50
IHA200MP	2"	4.60	2.28	2.00
IHA250MP	2 1/2"	5.25	2.63	2.50
IHA300MP	3"	5.75	2.88	3.00
IHA400MP	4"	7.38	3.73	4.00
IHA500MP	5"	10.50	5.25	5.00
IHA600MP	6"	8.88	6.83	6.00
IHA800MP	8"	14.75	7.38	8.05

PART NO.	SIZE	A	B	C
		In.	In.	In.
IHA050SP M/F	1/2"	3.13	1.63	0.531
IHA075SP M/F	3/4"	3.13	1.59	0.781
IHA100SP M/F	1"	3.38	1.59	1.031
IHA125SP M/F	1 1/4"	3.94	1.88	1.250
IHA150SP M/F	1 1/2"	4.13	2.19	1.531
IHA200SP M/F	2"	4.69	2.44	2.031
IHA250SP M/F	2 1/2"	5.56	2.88	2.531
IHA300SP M/F	3"	6.13	3.25	3.031
IHA400SP M/F	4"	7.31	3.88	4.031
IHA500SP M/F	5"	9.00	5.38	5.031
IHA600SP M/F	6"	11.00	6.50	6.046
IHA800SP M/F	8"	12.13	7.75	8.046
IHA1000SP M/F	10"	13.13	8.75	10.046
IHA1200SP M/F	12"	15.00	10.13	12.046
IHA1400SP M/F	14"	18.00	12.00	14.000

STEEL PIPE BRANCHLET HEADER

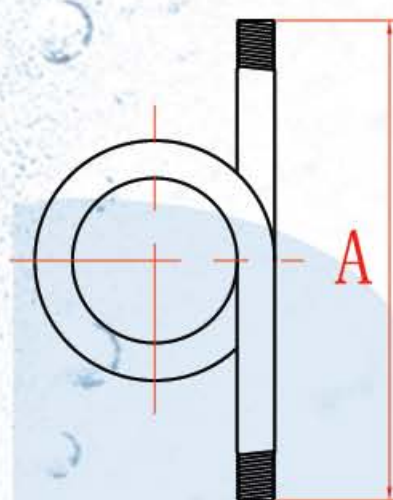
● Steel Pipe Header



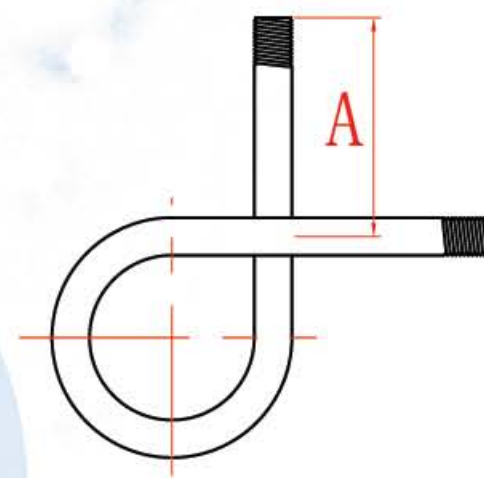
Part No	Size	Pipe Size in.		Branch PCS	Length in.			PCS	
		Main(A)	Branch(B)		L1	L2	L3	Inner	Master
H2X134	1X3/4-2	1	3/4	2	12	6	3	1	6
H3X134	1X3/4-3	1	3/4	3	18	6	3	1	6
H4X134	1X3/4-4	1	3/4	4	24	6	3	1	6
H2X11434	1 1/4X3/4-2	1 1/4	3/4	2	12	6	3	1	6
H3X11434	1 1/4X3/4-3	1 1/4	3/4	3	18	6	3	1	6
H4X11434	1 1/4X3/4-4	1 1/4	3/4	4	24	6	3	1	6
H5X11434	1 1/4X3/4-5	1 1/4	3/4	5	30	6	3		1
H2X1141	1 1/4X1-2	1 1/4	1	2	12	6	3	1	6
H3X1141	1 1/4X1-3	1 1/4	1	3	18	6	3	1	6
H4X1141	1 1/4X1-4	1 1/4	1	4	24	6	3	1	6
H5X1141	1 1/4X1-5	1 1/4	1	5	30	6	3		1
H2X114114	1 1/4X1-1/4-2	1 1/4	1 1/4	2	12	6	3	1	6
H3X114114	1 1/4X1-1/4-3	1 1/4	1 1/4	3	18	6	3	1	6
H4X114114	1 1/4X1-1/4-4	1 1/4	1 1/4	4	24	6	3	1	6
H5X114114	1 1/4X1-1/4-5	1 1/4	1 1/4	5	30	6	3		1
H6X114114	1 1/4X1-1/4-6	1 1/4	1 1/4	6	36	6	3		1
H3X11234	1 1/2X3/4-3	1 1/2	3/4	3	18	6	3	1	6
H4X11234	1 1/2X3/4-4	1 1/2	3/4	4	24	6	3	1	6
H5X11234	1 1/2X3/4-5	1 1/2	3/4	5	30	6	3		1
H6X11234	1 1/2X3/4-6	1 1/2	3/4	6	36	6	3		1
H3X1121	1 1/2X1-3	1 1/2	1	3	18	6	3	1	6
H4X1121	1 1/2X1-4	1 1/2	1	4	24	6	3	1	6
H5X1121	1 1/2X1-5	1 1/2	1	5	30	6	3		1
H6X1121	1 1/2X1-6	1 1/2	1	6	36	6	3		1
H2XL134	1X3/4-2	1	3/4	2	14	7	4 1/2	1	6
H3XL134	1X3/4-3	1	3/4	3	21	7	4 1/2	1	4
H4XL134	1X3/4-4	1	3/4	4	28	7	4 1/2	1	4
H2XL11434	1 1/4X3/4-2	1 1/4	3/4	2	14	7	4 1/2	1	6
H3XL11434	1 1/4X3/4-3	1 1/4	3/4	3	21	7	4 1/2	1	4
H4XL11434	1 1/4X3/4-4	1 1/4	3/4	4	28	7	4 1/2	1	4
H5XL11434	1 1/4X3/4-5	1 1/4	3/4	5	35	7	4 1/2		1
H2XL1141	1 1/4X1-2	1 1/4	1	2	14	7	4 1/2	1	6
H3XL1141	1 1/4X1-3	1 1/4	1	3	21	7	4 1/2	1	4
H4XL1141	1 1/4X1-4	1 1/4	1	4	28	7	4 1/2	1	4
H5XL1141	1 1/4X1-5	1 1/4	1	5	35	7	4 1/2		1
H2XL114114	1 1/4X1-1/4-2	1 1/4	1 1/4	2	14	7	4 1/2	1	6
H3XL114114	1 1/4X1-1/4-3	1 1/4	1 1/4	3	21	7	4 1/2	1	4
H4XL114114	1 1/4X1-1/4-4	1 1/4	1 1/4	4	28	7	4 1/2	1	4
H5XL114114	1 1/4X1-1/4-5	1 1/4	1 1/4	5	35	7	4 1/2		1
H6XL114114	1 1/4X1-1/4-6	1 1/4	1 1/4	6	42	7	4 1/2		1
H3XL11234	1 1/2X3/4-3	1 1/2	3/4	3	21	7	4 1/2	1	4
H4XL11234	1 1/2X3/4-4	1 1/2	3/4	4	28	7	4 1/2	1	4
H5XL11234	1 1/2X3/4-5	1 1/2	3/4	5	35	7	4 1/2		1
H6XL11234	1 1/2X3/4-6	1 1/2	3/4	6	42	7	4 1/2		1
H3XL1121	1 1/2X1-3	1 1/2	1	3	21	7	4 1/2	1	4
H4XL1121	1 1/2X1-4	1 1/2	1	4	28	7	4 1/2	1	4
H5XL1121	1 1/2X1-5	1 1/2	1	5	35	7	4 1/2		1
H6XL1121	1 1/2X1-6	1 1/2	1	6	42	7	4 1/2		1

SYPHON

● Syphon: Brass, Stainless Steel & Steel



Straight



Angle

Part No.	Size	Grade	Type	"A" Dim.	QTY		Master WT.(Kgs)
					Inner	Master	
Brass							
SPH02B-180	1/4	B43	STRAIGHT	5 3/4	50	100	20.45
SPH02B-90	1/4	B43	ANGLE	1 7/8	50	100	16.46
SPH04B-180	1/2	B43	STRAIGHT	8		20	18.50
SPH04B-90	1/2	B43	ANGLE				
Stainless Steel							
SPH02SS4-180	1/4	304 SCH#40	STRAIGHT	5 3/4	50	100	18.35
SPH02SS4-90	1/4	316 SCH#40	STRAIGHT	5 3/4	50	100	18.35
SPH02SS6-180	1/4	304 SCH#40	ANGLE	1 7/8	50	100	14.78
SPH02SS6-90	1/4	316 SCH#40	ANGLE	1 7/8	50	100	14.78
SPH04SS4-180	1/2	304 SCH#40	STRAIGHT	8			
SPH04SS4-90	1/2	316 SCH#40	STRAIGHT				
SPH04SS6-180	1/2	304 SCH#40	ANGLE	8			
SPH04SS6-90	1/2	316 SCH#40	ANGLE				
Steel							
SPH02S-180	1/4	A53 SCH#40	STRAIGHT	5 3/4	50	100	18.00
SPH02S-90	1/4	A53 SCH#40	ANGLE	1 7/8	50	100	14.50
SPH02SX-180	1/4	A53 SCH#80	STRAIGHT	5 3/4	50	100	
SPH02SX-90	1/4	A53 SCH#80	ANGLE	1 7/8	50	100	
SPH04S-180	1/2	A53 SCH#40	STRAIGHT	8			
SPH04S-90	1/2	A53 SCH#40	ANGLE				
SPH04SX-180	1/2	A53 SCH#80	STRAIGHT	8			
SPH04SX-90	1/2	A53 SCH#80	ANGLE				

SPECIAL PIPE NIPPLES

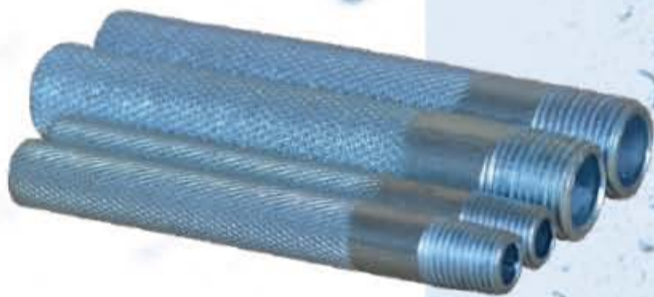
● L/R Steel Pipe Nipples



● Fast Drop



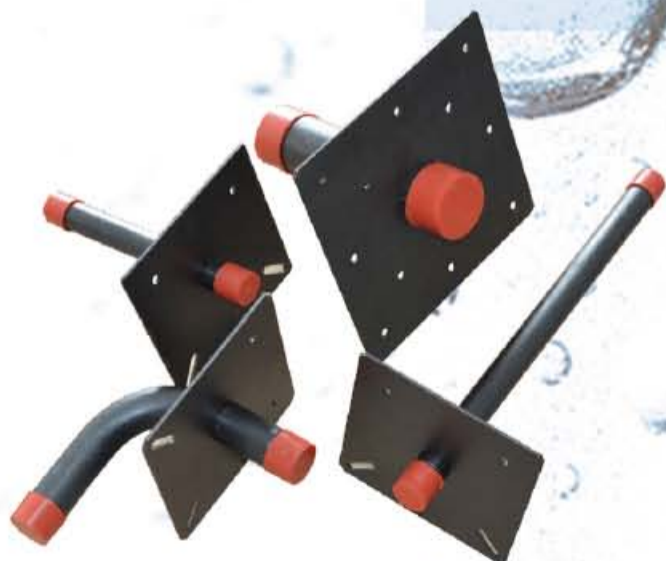
● Handle Key



● Strainer Nipples



● Stub Outs



● Steel Nipples with Special Cut



DIELECTRIC NIPPLES

- Dielectric Nipples: PE or PEX Lined, Available for Cool or Heat Water



Thread x Thread

Thread x Grooved

Grooved x Grooved



DIELECTRIC NIPPLES THREAD x THREAD

Part No.	Size (Inch)	Inner Pack	Master Pack
DN 04025	1/2 x 2 1/2	25	400
DN 04030	1/2 x 3	25	400
DN 05020	3/4 x 2	25	300
DN 05025	3/4 x 2 1/2	25	300
DN 05030	3/4 x 3	25	200
DN 05040	3/4 x 4	25	200
DN 06025	1 x 2 1/2	25	200
DN 06030	1 x 3	25	150
DN 06040	1 x 4	25	100
DN 07040	1 1/4 x 4	25	100
DN 08040	1 1/2 x 4	25	50
DN 09040	2 x 4		40
DN 10060	2 1/2 x 6		20
DN 11060	3 x 6		10
DN 12060	3 1/2 x 6		8
DN 13060	4 x 6		8

DIELECTRIC NIPPLES THREAD x GROOVED

Part No.	Size (Inch)	Inner Pack	Master Pack
DN FxG 06040	1 x 4	25	100
DN FxG 07040	1 1/4 x 4	25	100
DN FxG 08040	1 1/2 x 4	25	50
DN FxG 09040	2 x 4		40
DN FxG 10060	2 1/2 x 6		20
DN FxG 11060	3 x 6		10
DN FxG 12060	3 1/2 x 6		8
DN FxG 13060	4 x 6		8

DIELECTRIC NIPPLES GROOVED x GROOVED

Part No.	Size (Inch)	Inner Pack	Master Pack
DN GxG 09040	2 x 4		40
DN GXG 10060	2 1/2 x 6		20
DN GxG 11060	3 x 6		10
DN GxG 13060	4 x 6		8
DN GxG 15060	6 x 6		6

DIELECTRIC UNIONS

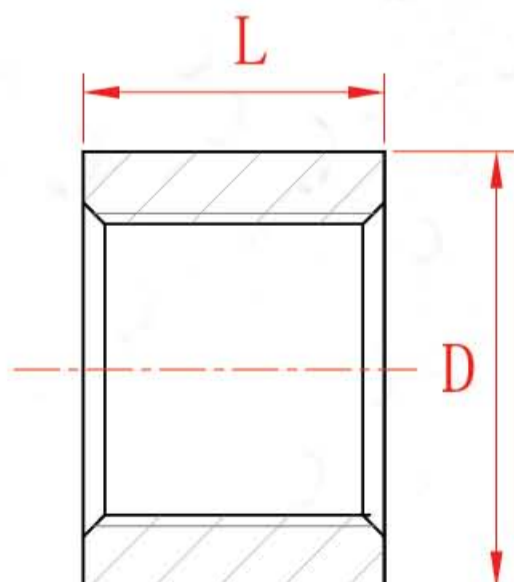
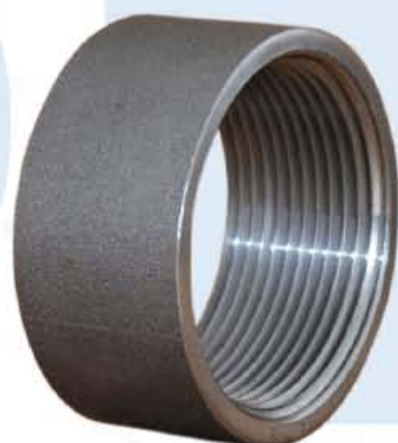
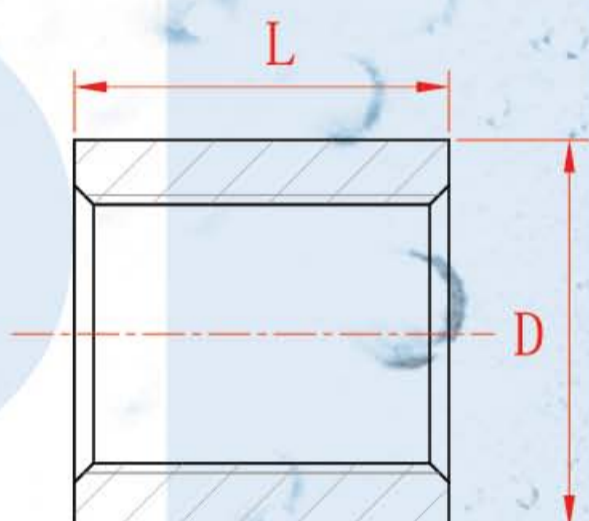
● Dielectric Unions, Available for Lead Free



Model	Part No	Size	Dimension		Quantity	
		In.	A(mm)	B(mm)	Inner	Master
6001	DU FxC 04	1/2	41.0	45.0	10	100
6001	DU FxC 05	3/4	47.0	53.0	10	80
6001	DU FxC 06	1	55.0	58.0	10	50
6001	DU FxC 07	1-1/4	67.0	66.0	5	40
6001	DU FxC 08	1-1/2	80.0	70.0	4	24
6001	DU FxC 09	2	102.0	78.5	2	18
6001	DU FxC 0504	3/4x1/2	47.0	49.0	10	80
6001	DU FxC 0605	1x3/4	55.0	57.5	10	50
6002	DU FxF 04	1/2	47.0	53.0	10	100
6002	DU FxF 05	3/4	55.0	54.0	10	80
6002	DU FxF 06	1	67.0	64.0	10	50
6002	DU FxF 07	1-1/4	80.0	68.5	5	40
6002	DU FxF 08	1-1/2	102.0	70.0	4	24
6002	DU FxF 09	2	112.5	80.0	2	18
6003	DU MxC 04	1/2	41.0	70.0	10	100
6003	DU MxC 05	3/4	47.0	74.5	10	80
6003	DU MxC 0504	3/4x1/2	47.0	71.5	10	80
6004	DU FxF 04S	1/2	47.0	53.0	10	100
6004	DU FxF 05S	3/4	55.0	54.0	10	80
6004	DU FxF 06S	1	67.0	64.0	10	50
6004	DU FxF 07S	1-1/4	80.0	68.5	5	40
6004	DU FxF 08S	1-1/2	102.0	70.0	4	24
6004	DU FxF 09S	2	112.5	80.0	2	18
6005	DFU FxF 10	2-1/2	178.0	60.0		5
6005	DFU FxF 11	3	191.0	64.0		5
6005	DFU FxF 13	4	232.0	70.0		3
6006	DFU FxC 10	2-1/2	155.0	90.0		5
6006	DFU FxC 11	3	170.0	95.0		5
6007	DFU FxC 13	4	232.0	115.0		3



STEEL STANDARD & HALF COUPLINGS



● Steel Standard Full Merchant Couplings

American Standard: ASTM A865

Threads: ANSI/ASME B1.20.1

Diameter: 1/8" - 12"

Part No.	Size	D	L	Packing	
	(inch)	(inch)	(inch)	Inner	Master
SC00	1/8	0.563	0.813	25	600
SC01	1/4	0.719	1.188	25	600
SC02	3/8	0.875	1.188	25	600
SC03	1/2	1.063	1.563	25	400
SC04	3/4	1.313	1.625	25	200
SC05	1	1.576	2.000	25	150
SC06	1 1/4	1.900	2.063	25	100
SC07	1 1/2	2.200	2.063	25	75
SC08	2	2.750	2.125	25	50
SC09	2 1/2	3.250	3.125		20
SC10	3	4.000	3.250		15
SC11	4	5.000	3.500		10
SC12	5	6.296	3.750		5
SC13	6	7.390	4.000		3

● Steel Standard Half Merchant Couplings

American Standard: ASTM A865

Threads: ANSI/ASME B1.20.1

Diameter: 1/8" - 12"

Part No.	Size	D	L	Packing	
	(inch)	(inch)	(inch)	Inner	Master
SCH00	1/8	0.563	0.344	50	1200
SCH01	1/4	0.719	0.531	50	1200
SCH02	3/8	0.875	0.531	50	1200
SCH03	1/2	1.063	0.719	50	800
SCH04	3/4	1.313	0.750	25	400
SCH05	1	1.576	0.938	25	300
SCH06	1 1/4	1.900	0.969	25	200
SCH07	1 1/2	2.200	0.969	25	150
SCH08	2	2.750	1.000	25	100
SCH09	2 1/2	3.250	1.500		50
SCH10	3	4.000	1.563		30
SCH11	4	5.000	1.688		25
SCH12	5	6.296	1.823		15
SCH13	6	7.390	1.937		9

STEEL STANDARD & HALF COUPLINGS

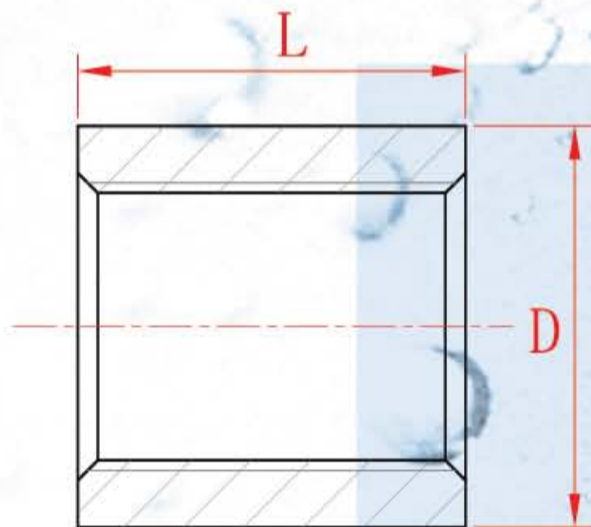
● Steel Standard Full Merchant Couplings



DIN Standard: DIN 2986

Threads: DIN2999/ ISO7-1

Diameter: 1/8" - 6"



Part No.	Size (inch)	D (mm)	L (mm)	Packing	
				Bag	Master
SC-006	1/8	15.0	17	10	800
SC-008	1/4	18.5	25	10	600
SC-010	3/8	21.3	26	10	400
SC-015	1/2	26.6	34	10	300
SC-020	3/4	31.8	36	10	200
SC-025	1	39.5	43	10	120
SC-032	1 1/4	48.3	48	5	100
SC-040	1 1/2	54.5	48	5	80
SC-050	2	66.2	56	5	60
SC-065	2 1/2	82.0	65		30
SC-080	3	95.0	71		20
SC-100	4	121.4	83		12
SC-125	5	146.3	92		6
SC-150	6	173.3	92		4

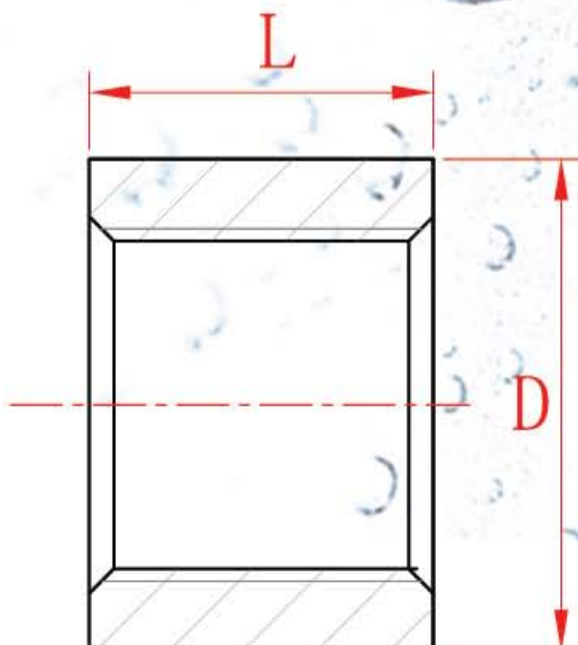
● Steel Standard Half Merchant Couplings



DIN Standard: DIN 2986

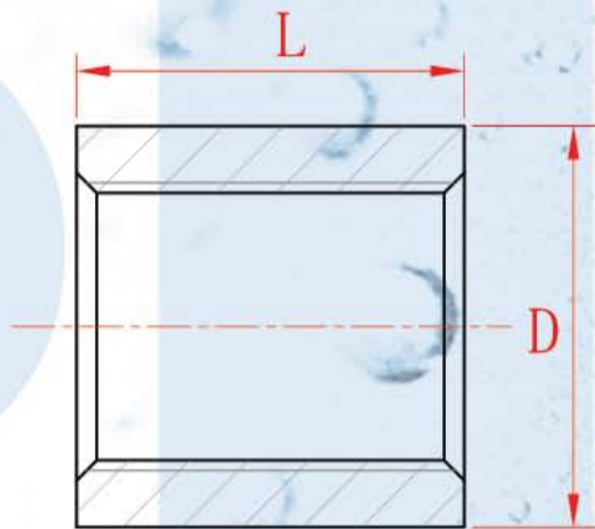
Threads: DIN2999/ ISO7-1

Diameter: 1/8" - 6"



Part No.	Size (inch)	D (mm)	L (mm)	Packing	
				Bag	Master
SCH-006	1/8	15.0	8	10	1600
SCH-008	1/4	18.5	11	10	1200
SCH-010	3/8	21.3	12	10	800
SCH-015	1/2	26.6	15	10	600
SCH-020	3/4	31.8	17	10	400
SCH-025	1	39.5	20	10	240
SCH-032	1 1/4	48.3	22	10	200
SCH-040	1 1/2	54.5	22	10	160
SCH-050	2	68.0	26	10	120
SCH-065	2 1/2	84.2	30		60
SCH-080	3	98.4	34		40
SCH-100	4	124.0	40		24
SCH-125	5	149.0	44		12
SCH-150	6	177.0	44		8

STEEL EXTRA-HEAVY COUPLINGS



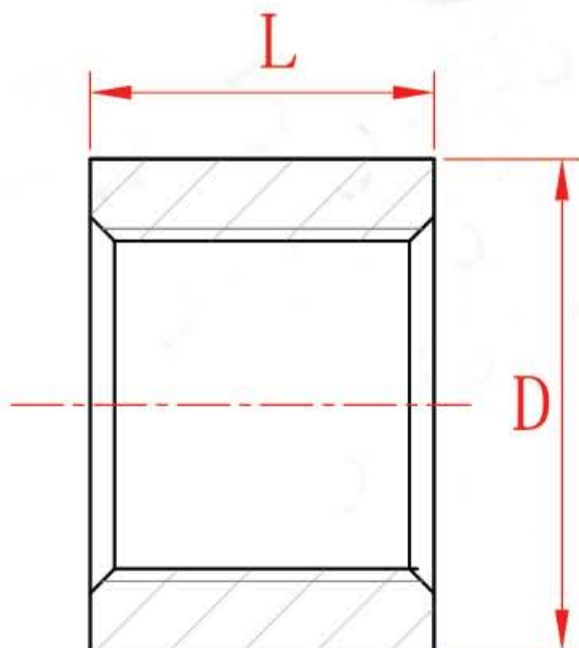
● Steel Extra-Heavy Couplings

American Standard: ASTM A865

Threads: ANSI/ASME B1.20.1

Diameter: 1/8"- 12"

Part No.	Size	D	L	Packing	
	(inch)			Inner	Master
SC00XH	1/8	0.563	1.063	25	600
SC01XH	1/4	0.719	1.625	25	600
SC02XH	3/8	0.875	1.625	25	400
SC03XH	1/2	1.063	2.125	25	300
SC04XH	3/4	1.313	2.125	25	200
SC05XH	1	1.660	2.625	25	100
SC06XH	1 1/4	2.054	2.750	25	75
SC07XH	1 1/2	2.200	2.750	25	50
SC08XH	2	2.287	2.875		40
SC09XH	2 1/2	3.375	4.125		16
SC10XH	3	4.000	4.250		12
SC11XH	4	5.200	4.500		8
SC12XH	5	6.296	4.625		5
SC13XH	6	7.390	4.875		3



● Steel Extra-Heavy Half Couplings

American Standard: ASTM A865

Threads: ANSI/ASME B1.20.1

Diameter: 1/8"- 12"

Part No.	Size	D	L	Packing	
	(inch)			Inner	Master
SCH00XH	1/8	0.563	0.469	50	1200
SCH01XH	1/4	0.719	0.750	50	1200
SCH02XH	3/8	0.875	0.750	50	800
SCH03XH	1/2	1.063	1.000	50	600
SCH04XH	3/4	1.313	1.000	25	400
SCH05XH	1	1.66	1.250	25	200
SCH06XH	1 1/4	2.054	1.313	25	150
SCH07XH	1 1/2	2.200	1.313	25	150
SCH08XH	2	2.875	1.375	25	100
SCH09XH	2 1/2	3.375	2.000		38
SCH10XH	3	4.000	2.063		24
SCH11XH	4	5.200	2.188		16
SCH12XH	5	6.296	2.250		10
SCH13XH	6	7.390	2.375		6

FULL & HALF COUPLINGS #3000/ #6000



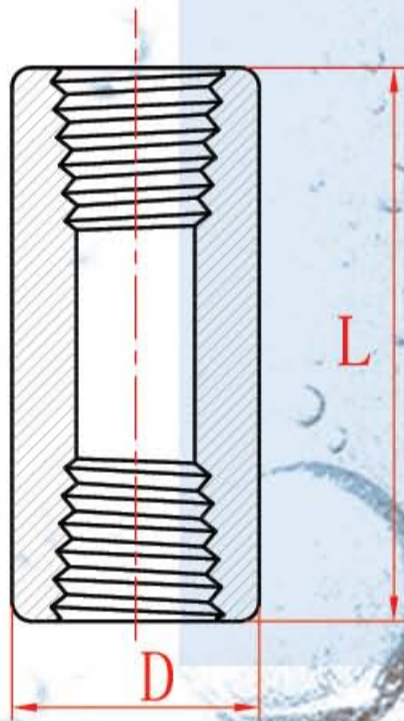
● Full & Half Couplings #3000

American Standard: ASME B16.11

Threads: ANSI/ASME B1.20.1

Diameter: 1/8" - 4"

Part No.	Size (inch)	Full 3000#		Half 3000#	
		D (inch)	L (inch)	D (inch)	L (inch)
SC00-3000	1/8	0.62	1.25	0.62	0.625
SC01-3000	1/4	0.75	1.38	0.75	0.690
SC02-3000	3/8	0.88	1.50	0.88	0.750
SC03-3000	1/2	1.12	1.88	1.12	0.940
SC04-3000	3/4	1.38	2.00	1.38	1.000
SC05-3000	1	1.75	2.38	1.75	1.190
SC06-3000	1 1/4	2.25	2.62	2.25	1.310
SC07-3000	1 1/2	2.50	3.12	2.50	1.560
SC08-3000	2	3.00	3.38	3.00	1.690
SC09-3000	2 1/2	3.62	3.62	3.62	1.810
SC10-3000	3	4.25	4.25	4.25	2.125
SC11-3000	4	5.50	4.75	5.50	2.375

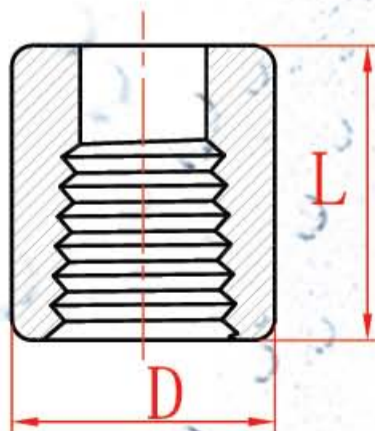


● Full & Half Couplings #6000

American Standard: ASME B16.11

Threads: ANSI/ASME B1.20.1

Diameter: 1/4" - 4"



Part No.	Size (inch)	Full 6000#		Half 6000#	
		D (inch)	L (inch)	D (inch)	L (inch)
SC01-6000	1/4	1.38	1.00	0.69	1.000
SC02-6000	3/8	1.50	1.25	0.75	1.250
SC03-6000	1/2	1.88	1.50	0.94	1.500
SC04-6000	3/4	2.00	1.75	1.00	1.750
SC05-6000	1	2.38	2.25	1.19	2.250
SC06-6000	1 1/4	2.62	2.50	1.31	2.500
SC07-6000	1 1/2	3.12	3.00	1.56	3.000
SC08-6000	2	3.38	3.62	1.69	3.620
SC09-6000	2 1/2	3.62	4.25	1.81	4.250
SC10-6000	3	4.25	5.00	2.13	5.000
SC11-6000	4	4.75	6.25	2.38	6.250

L&R COUPLINGS, STAINLESS STEEL COUPLINGS & RMC COUPLINGS

● L/R Couplings



● Stainless Steel Full & Half Couplings



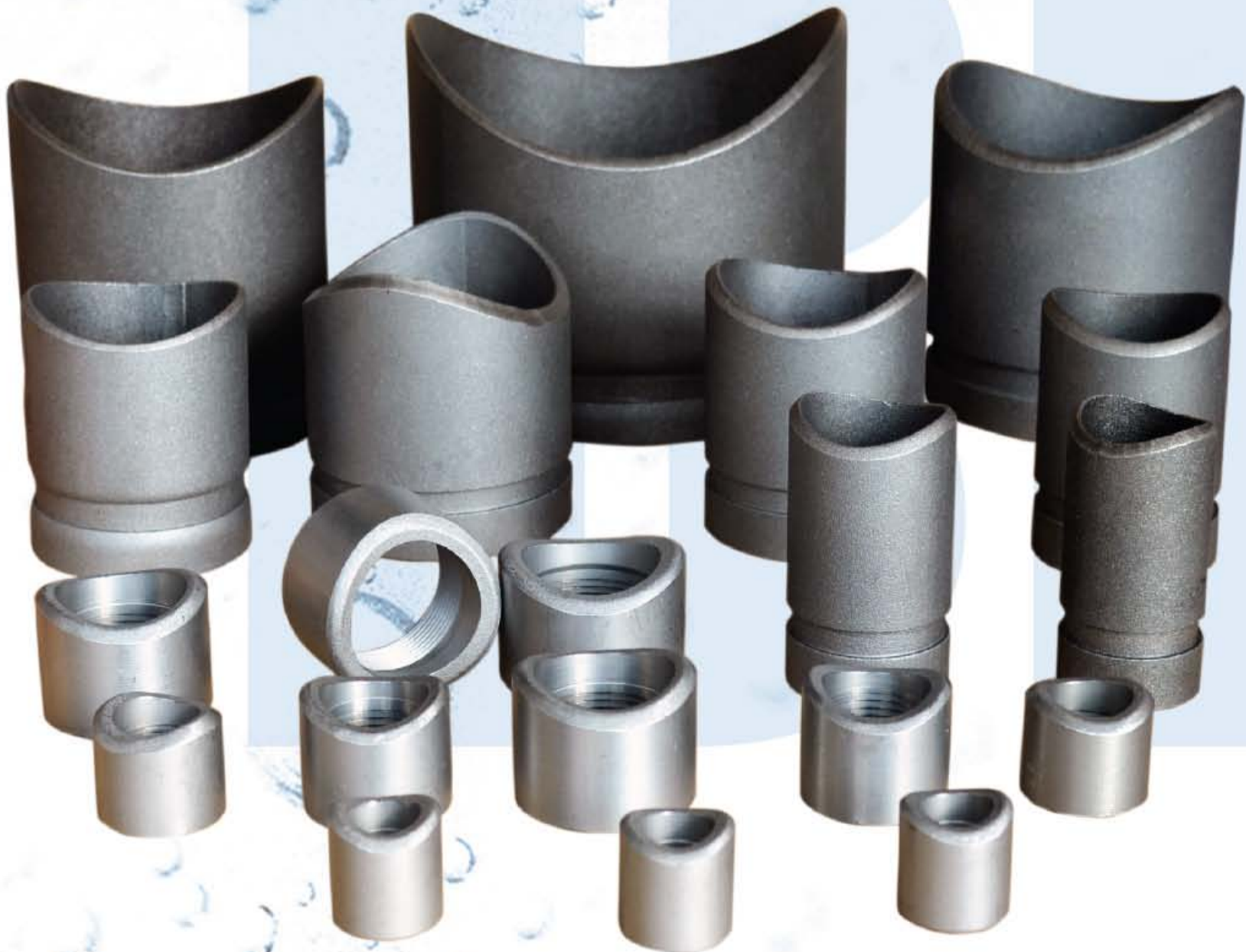
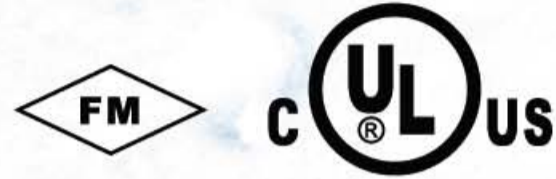
● RMC Coupling



WELDING OUTLETS

- Grooved Welding Outlets
- Roll Grooved Welding Outlets
- Threaded Welding Outlets

With UL/FM Approval



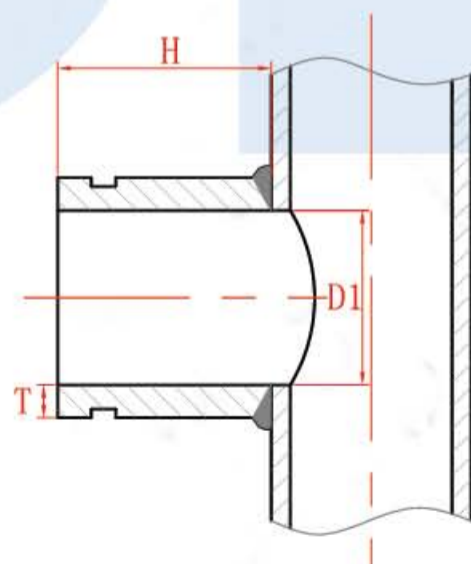
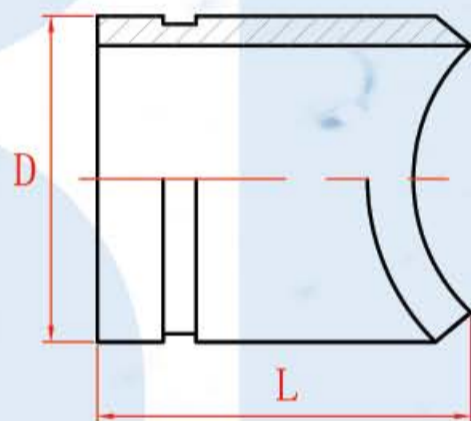
MATERIAL:BLACK STEEL PIPE ASTM A53

GROOVED WELDING OUTLETS

● Grooved Welding Outlets SCH40#, With UL/FM Approval

MATERIAL:BLACK STEEL PIPE ASTM A53

PRESSURE RATING:20.7 bar (300psi)



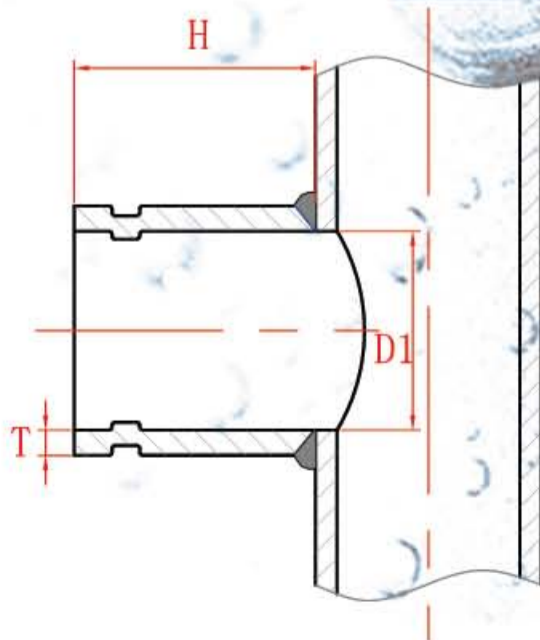
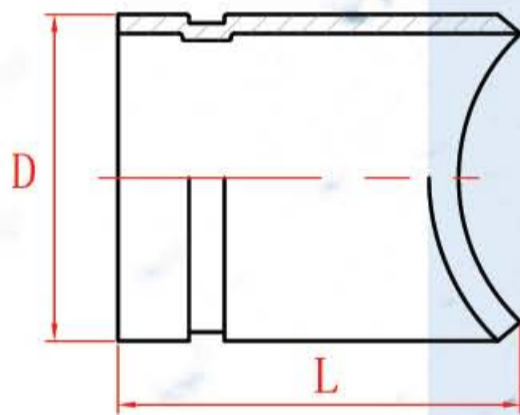
Grooved Outlet Size		L	Header for Pipe Size		H	D1	D	T	Approx Weight
(inch)	(mm)		(inch)	(mm)					
1 1/4	32	3.369	1 1/4	32	76	35	42	3.6	0.125
		3.297	1 1/2	40					
		3.221	2	50					
		3.176	2 1/2	65					
		3.142	3	80					
		3.108	4	100					
		3.087	5	125					
		3.073	6	150					
3.056	8	200							
1 1/2	40	3.446	1 1/2	40	76	41	48	3.7	0.200
		3.314	2	50					
		3.246	2 1/2	65					
		3.196	3	80					
		3.149	4	100					
		3.119	5	125					
		3.099	6	150					
		3.076	8	200					
2	50	3.602	2	50	76	53	60	3.9	0.350
		3.438	2 1/2	65					
		3.338	3	80					
		3.251	4	100					
		3.199	5	125					
		3.165	6	150					
		3.126	8	200					
2-1/2	65	3.701	2 1/2	65	76	67	76	5.2	0.700
		3.525	3	80					
		3.379	4	100					
		3.296	5	125					
		3.244	6	150					
		3.185	8	200					
3	80	3.961	3	80	76	78	89	5.5	0.900
		3.631	4	100					
		3.480	5	125					
		3.391	6	150					
		3.293	8	200					
4	100	5.316	4	100	102	102	114	6.0	1.500
		4.898	5	125					
		4.708	6	150					
		4.517	8	200					
6	150	5.233	6	150	102	154	168	7.1	3.100
		4.856	8	200					
8	200	6.973	8	200	102	203	219	8.2	5.300

ROLL GROOVED WELDING OUTLETS

● Roll Grooved Welding Outlets, SCH10#, With UL/FM Approval

MATERIAL:BLACK STEEL PIPE ASTM A53

PRESSURE RATING:20.7 bar (300psi)



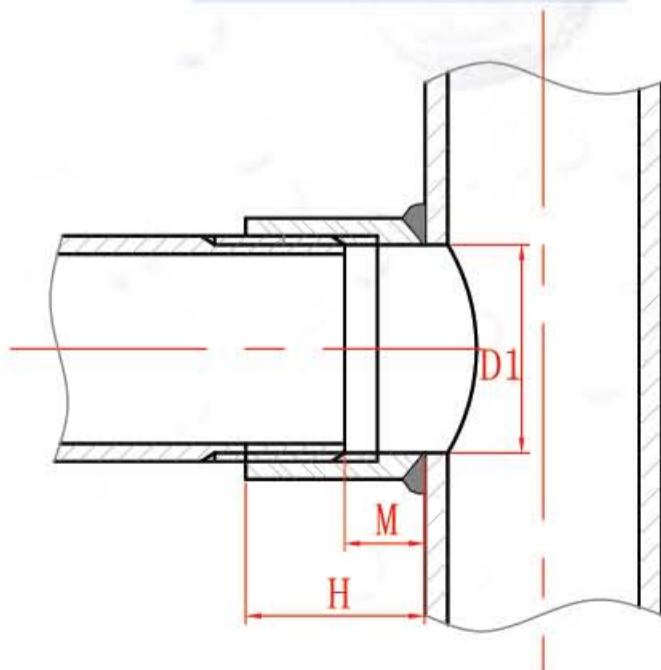
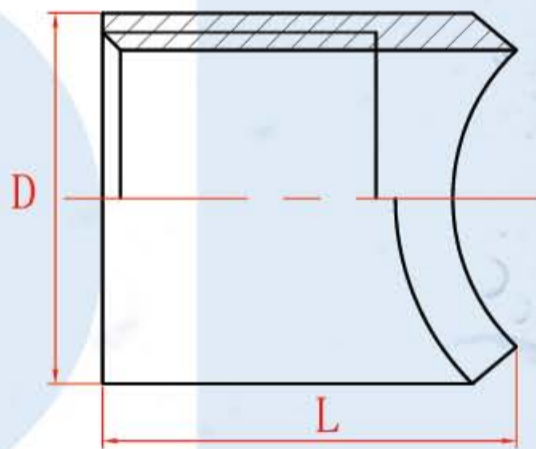
Rolled Outlet Size		L	Header for pipe size		H	D1	D	T	Approx Weight
(inch)	(mm)	(inch)	(inch)	(mm)	(mm)	(mm)	(mm)	(mm)	(kgs)
2	50	3.799	2	50	76	55	60	2.8	0.285
		3.539	2 1/2	65					
		3.407	3	80					
		3.300	4	100					
		3.196	6	150					
		3.149	8	200					
2 1/2	65	3.955	2 1/2	65	76	67	73	3.1	0.395
		3.642	3	80					
		3.453	4	100					
		3.290	6	150					
		3.218	8	200					
3	80	4.217	3	80	76	83	89	3.1	0.500
		3.739	4	100					
		3.450	6	150					
		3.335	8	200					
4	100	5.645	4	100	102	108	114	3.4	0.900
		4.807	6	150					
		4.584	8	200					
6	150	6.468	6	150	102	162	168	3.4	1.600
		5.425	8	200					
8	200	7.903	8	200	102	210	219	4.8	3.200

THREADED WELDING OUTLETS

● Threaded Welding Outlets, With UL/FM Approval

MATERIAL:BLACK STEEL PIPE ASTM A53

PRESSURE RATING:20.7 bar (300psi)



Outlet Size		Header for pipe size		H	D1	M	Approx Weight
Famale							
(inch)	(mm)	(inch)	(mm)	(mm)	(mm)	(mm)	(kgs)
1/2	15	1 1/4	32	27	18	13	0.050
		1 1/2	40				
		2	50				
		2 1/2	65				
		3	80				
		4	100				
		5	125				
		6	150				
3/4	20	1 1/4	29	23	13	0.075	
		1 1/2					
		2					
		2 1/2					
		3					
		4					
		6					
		8					
1	25	1 1/4	32	29	13	0.100	
		1 1/2					
		2					
		2 1/2					
		3					
		4					
		5					
		6					
1 1/4	32	1 1/2	35	38	16	0.125	
		2					
		2 1/2					
		3					
		4					
		5					
		6					
		8					
1 1/2	40	2	41	41	22	0.200	
		2 1/2					
		3					
		4					
		5					
		6					
		8					
		2					50
2 1/2							
3							
4							
5							
6							
2 1/2	65	2 1/2	54	63	29	0.700	
		3					
		4					
		6					
		8					