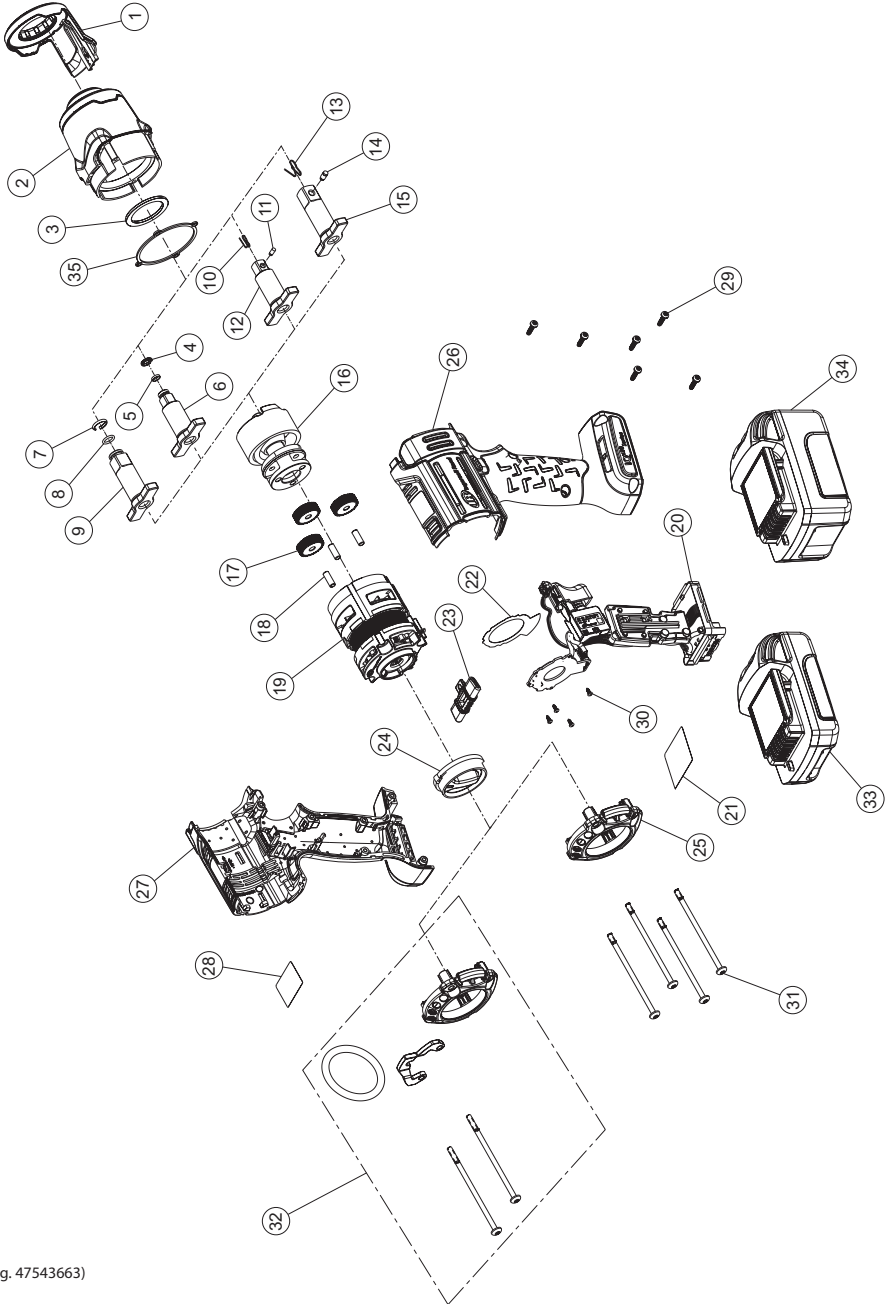


W5133, W5133P, W5153, and W5153P Cordless Impact Wrench - Exploded View



(Dwg. 47543663)



W5133, W5133P, W5153, and W5153P Cordless Impact Wrench - Parts List

Item	Part Description	Part Number	(CCN)	Item	Part Description	Part Number	(CCN)
	LED Assembly Kit	W5133-KLED	(47623587001)	21	Information Label	---	---
*	Press Tool	---	---	22	Insulator Sheet	---	---
	Hammer Case Kit	W5133-K727	(47623588001)	23	Directional Switch (Forward / Task Light / Reverse)	W5132-K75	(47547007001)
1	LED Assembly	---	---				
2	Hammer Case Assembly	---	---	24	Power Regulator Dial	W5132-K249	(47531555001)
3	Washer	---	---	25	Backcap	W5132-K40B	(47534800001)
	Socket Retainer Kit For W5133, 3/8-in Square Drive	1702-K425	(47533407001)		Housing Kit	W5132-K40	(47547008001)
4	Socket Retainer	---	---	26	Right Housing	---	---
5	O-Ring	---	---	27	Left Housing	---	---
	Socket Retainer Kit For W5153, 1/2-in Square Drive	2125QTI-K425	(80107733)	28	Warning Label	---	---
7	Socket Retainer	---	---	29	Screw, Housing (QTY. 6)	---	---
8	O-Ring	---	---		Label Kit	W5132-K99	(47547010001)
	Anvil Kit For W5133, 3/8-in Square Drive	W5133-K626	(47623589001)	21	Information Label	---	---
4	Socket Retainer	---	---	28	Warning Label	---	---
5	O-Ring	---	---		Fastener Kit	W5132-K105	(47547009001)
6	Anvil	---	---	29	Screw, Housing (QTY. 6)	---	---
	Anvil Kit For W5153, 1/2-in Square Drive	W5153-K626	(47623590001)	30	Screw, Hall PCBA (QTY. 4)	---	---
7	Socket Retainer	---	---	31	Screw, Hammer Case (QTY. 4)	---	---
8	O-Ring	---	---	32	Hanger Assembly Kit	W5133-K365	(47610429001)
9	Anvil	---	---		20V Li-Ion Battery Pack	---	---
	Anvil Kit For W5133P, 3/8-in Pin Style Drive	W5133P-K626	(47610434001)	33	2.5 Ah	BL2012	(47515903001)
10	Pin Spring	---	---	34	3.0 Ah	BL2010	(48386791)
11	Pin Retainer	---	---		5.0 Ah	BL2022	(47515902001)
12	Anvil	---	---	35	Seal Kit	W5133-K65	(47715410001)
	Anvil Kit For W5153P, 1/2-in Pin Style Drive	W5153P-K626	(47610435001)		Protective Battery Boot	---	---
				*	For BL2005, BL2012	BL2005-BOOT	(47510965001)
					For BL2010, BL2022	BL2010-BOOT	(47510964001)
				*	Protective Tool Boot	W5132-BOOT	(47555745001)
				*	Power Regulator Restricted Tool Boot	W5132-BOOTX	(W5132-BOOTX)
				*	Battery Charger	BC1121	(47507879001)
				*	Storage / Carrying Bag	TB4	(47543666001)
					Grease	---	---
					IR #105 (1 lb can) for Impact Mechanism and Anvil	105-1LB	(04279147)
				*	IR #105 (8 lb can) for Impact Mechanism and Anvil	105-8LB	(04264875)
					IR #67 (1 lb can) for Gearing	67-1LB	(03773009)
					IR #67 (8 lb can) for Gearing	67-8LB	(03820008)
13	Pin Spring	---	---	*	Grease Gun	R000A-228	(03095015)
14	Pin Retainer	---	---				
15	Anvil	---	---				
16	Impact Mechanism Kit	W5133-K724	(47623591001)				
	Planetary Gear Kit	W5132-K37	(47547005001)				
17	Planet Gear (QTY. 3)	---	---				
18	Pin (QTY. 3)	---	---				
19	Brushless Motor Kit	W5133-K54	(47633256001)				
20	Trigger & Electrical Assembly Kit	W5133-K93	(47633255001)				

* Indicates not illustrated.

Parts and Maintenance

When tool life has expired, it is recommended that the tool be disassembled, degreased and parts separated by material for proper recycling.

Tool repair and maintenance should only be carried out by an authorized Service Center.

Refer all communications to the nearest **Ingersoll Rand** office or distributor.

Related Documentation

Manuals can be downloaded from ingersollrand.com

For additional information, refer to:

Product Safety Information Manual 04581146.

Product Information Manual 47543664001.

Declaration of Conformity 47643589001.

Hanger Install / Removal Instruction Card 47641906001 and 47642459001.



ingersollrand.com
© 2020 Ingersoll Rand

47543663001
Edition 6
November 2020