

**BALDOR® • RELIANCE** 

**Product Information Packet**

**8107W**

**24L 2P GRNDR W/ RELAY**

Part Detail							
Revision:	AC	Status:	PRD/A	Change #:		Proprietary:	No
Type:	AC	Elec. Spec:	G8WG0070	CD Diagram:	CD2033	Mfg Plant:	
Mech. Spec:	G8-0413	Layout:	G8LY0413	Poles:	02	Created Date:	01-25-2008
Base:	RG	Eff. Date:	07-20-2018	Leads:	5#18 DO NOT CLIP LDS,0#0 AT WESTVILLE		Y

Specs			
Nameplate Output:	.75		
Product Style:	GRINDER		

<b>Nameplate NP3118</b>	
<b>CAT.NO.</b>	8107W
<b>HP</b>	.75
<b>PHASE</b>	1
<b>HZ</b>	60
<b>SER.NO</b>	
<b>SPEC.</b>	G8-0413-0070
	<b>VOLTS</b> 115
	<b>AMPS</b> 8.6
	<b>RPM</b> 3600

Parts List		
Part Number	Description	Quantity
SA167414	SA G8-0413-0070	1.000 EA
RA155745	RA G8-0413-0070	1.000 EA
RE1014	RELAY,MTR START,CURRENT SENSING,4CR3-745	1.000 EA
EC1189A02SP	61B2D120189NNBA ELEC CAP, 189-227MFD, 12	1.000 EA
G8BA3000	G8 & G10 BASE	1.000 EA
11XW1032G06	10-32 X .38, TAPTITE II, HEX WSHR SLTD U	1.000 EA
HW3001B01	BRASS CUP WASHER, FOR #10 SCREW	1.000 EA
19XX2510A14	1/4-10 X 7/8 HEX HD PLASTITE SCREW	4.000 EA
HW1000A25	1/4 SAE FLAT WASHER (FS)	4.000 EA
HW1003A50	LOCKWASHER,1/2",EXT.TOOTHZINC PLATED	1.000 EA
51XN1032A04	10-32 X 0.25 HX WS SL SR	2.000 EA
XY1032A02	10-32 HEX NUT DIRECTIONAL SERRATION	2.000 EA
LD5001A02	CORD & PLUG ASSY 18-3 SJT .33 DIA. 10 AM	1.000 EA
WD4102A01	SR-6L-1 HEYCO STRN RELIEF OR 23MPO6L10 M	1.000 EA
G8CB4500A11	BASE COVER DRILLED FOR ELECTRONIC BRAKE	1.000 EA
51XW0832A07	8-32 X .44, TAPTITE II, HEX WSHR SLTD SE	2.000 EA
RM1005A01SP	BUMPER- #2089 (R-R CO)	4.000 EA
15XF1032A10	10-32X5/8 PIN HD PHL TY FSEE JT	4.000 EA
15XN0632A08	SCREW, 6/32 X 1/2" PAN	2.000 EA
XY0632A02	6-32 HEX NUT	2.000 EA
HW5100A06	W2420-025 WVY WSHR (WB)	2.000 EA
HA1000A34	DR2463A .02 BRG GUARD B N	2.000 EA
G8EP3900A01SP	ENDPLATE, MACH	2.000 EA
HA3100A14	THRUBOLT 10-32 X 7.875	4.000 EA

Parts List (continued)		
Part Number	Description	Quantity
XY1032A02	10-32 HEX NUT DIRECTIONAL SERRATION	4.000 EA
G8FH1802A01SP	GRINDER GUARD - L.H. 8" GRINDER	1.000 EA
19XW2520A16	SCREW, 1/4-20X1 TAPTITE-II OR ROLOC 91	4.000 EA
G8FH1800A01SP	GRINDER GUARD - R.H. 8" GRINDER	1.000 EA
19XW2520A16	SCREW, 1/4-20X1 TAPTITE-II OR ROLOC 91	4.000 EA
HA6099A01SP	8" GRINDER TOOL REST SUPPORT	1.000 EA
10XN3816A18	SCREW, HEX HD, ZINC	2.000 EA
HW1001A38	LOCKWASHER 3/8, ZINC PLT .688 OD, .382 I	2.000 EA
HW1000A38	WASHER, 3/8" FLAT, SAE Z/P	2.000 EA
HA6099A01SP	8" GRINDER TOOL REST SUPPORT	1.000 EA
10XN3816A18	SCREW, HEX HD, ZINC	2.000 EA
HW1001A38	LOCKWASHER 3/8, ZINC PLT .688 OD, .382 I	2.000 EA
HW1000A38	WASHER, 3/8" FLAT, SAE Z/P	2.000 EA
G8AP1003A01SP	TOOL REST	1.000 EA
10XN3816A16	3/8-16 X 1 HEX HD CAP SCREW	1.000 EA
HW1001A38	LOCKWASHER 3/8, ZINC PLT .688 OD, .382 I	1.000 EA
HW1000A38	WASHER, 3/8" FLAT, SAE Z/P	1.000 EA
G8AP1003A01SP	TOOL REST	1.000 EA
10XN3816A16	3/8-16 X 1 HEX HD CAP SCREW	1.000 EA
HW1001A38	LOCKWASHER 3/8, ZINC PLT .688 OD, .382 I	1.000 EA
HW1000A38	WASHER, 3/8" FLAT, SAE Z/P	1.000 EA
G6AP1002A01	SPARK BREAKER-6", 7" & 8" GRINDERS	1.000 EA
10XN3118A12	5/16-18 X 3/4 HEX HEAD CAP	1.000 EA
HW1001A31	LOCKWASHER 5/16, ZINC PLT .591 OD, .319 I	1.000 EA

Product Information Packet: 8107W - 24L 2P GRNDR W/ RELAY

HW1000A31	5/16 SAE FL WSHR NARROW, ID=.344, OD=.62	1.000 EA
G6AP1002A01	SPARK BREAKER-6",7" & 8" GRINDERS	1.000 EA
10XN3118A12	5/16-18 X 3/4 HEX HEAD CAP	1.000 EA
HW1001A31	LOCKWASHER 5/16, ZINC PLT.591 OD, .319 I	1.000 EA
HW1000A31	5/16 SAE FL WSHR NARROW, ID=.344, OD=.62	1.000 EA
HA6098	WHEEL FLANGE, CAST	4.000 EA
HW3020E04	1/8 X 3/8 A GROOVE PIN (DRIV-LOCK #118	2.000 EA
FSG8AP3000A01	A36N5V10 8X1X3/4 36GRIT X	1.000 EA
G8AP3000A02	A60N6V10 8X1X3/4 60GRIT X	1.000 EA
XY7510A12SP	3/4-10 NUT R.H. HEX (NC) ZINC PLATED	1.000 EA
XY7510A62	3/4-10 NUT L.H. HEX (NC) (F/S)	1.000 EA
G8FH1801A01SP	GUARD COVER - R.H. 8" GRINDER	1.000 EA
10XN2520A16	1/4-20 X 1 HEX HEAD CAP SCR, ZINC PLATED	4.000 EA
G8FH1803A01SP	GUARD COVER - L.H. 8" GRINDER	1.000 EA
10XN2520A16	1/4-20 X 1 HEX HEAD CAP SCR, ZINC PLATED	4.000 EA
G7AP5001A01	EYE SHIELD ASSEM.-7",8",10",12"&14"GRIND	1.000 EA
85XU0407S04	4X1/4 U DRIVE PIN STAINLESS	2.000 EA
85XU0407S04	4X1/4 U DRIVE PIN STAINLESS	1.000 EA
SP9000SP	80600BJ A-H OR 1520237-2 TYCO;2PST,125/2	1.000 EA
WD4006B01	TYPE O/B+ 3M SCOTCHLOK WIRE CONNECTOR	1.000 EA
HA6003A33ZP	CLAMP, CAPACITOR ZINC PLATED	1.000 EA
MJ1000A02	GREASE, MOBIL POLYREX EM - 124047	0.050 LB
MG1000G01	MUNSELL 5.93PB 3.81/ 2.71	0.017 GA
LC2033A01	1PH, SV, FIX, GRINDER, 120V	1.000 EA
MG1500G03-5	LACQUER PRIMER, GRAY - 5 GAL	0.010 GA
LB1119N	WARNING LABEL	1.000 EA

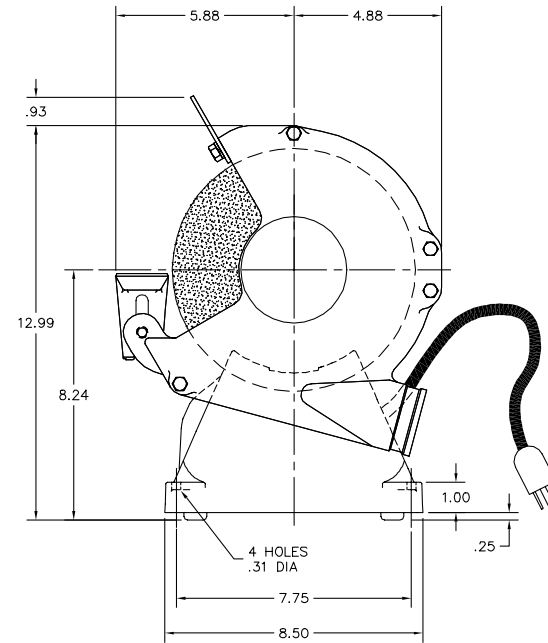
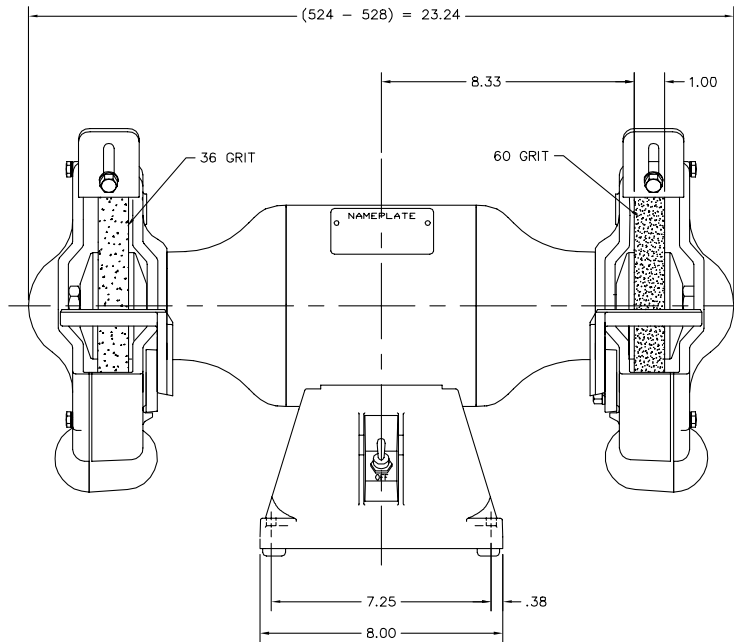
Product Information Packet: 8107W - 24L 2P GRNDR W/ RELAY

LB1388A07	CONSOLIDATED GRINDER LABEL FOR 6", 7", 8	1.000 EA
NP3118	ALUM GRINDERS-BUFFERS NO LOGO'S	1.000 EA
G0PA1000	PKG GRP, PRINT PK1026A06	1.000 EA
MN903	INSTR MANUAL FOR GRINDERS 9/03	1.000 EA

<b>Accessories</b>		
<b>Part Number</b>	<b>Description</b>	<b>Multiplier</b>
GA16	PEDESTAL INDUSTRIAL, CAST IRON 6" - 10"	A8
GA14	PEDESTAL FABRICATED STEEL W/SHELVES	A8
GA20	PEDESTAL INDUSTRIAL, CAST IRON 8"-14"	A8
GA20E	PEDESTAL LIGHT INDUSTRIAL,STEEL	A8
GA24	WATER POT	A8
B80	8" 36 GRIT GRINDING WHEEL	A8
B81	8" 60 GRIT GRINDING WHEEL	A8
GA9	PAIR LIGHTED EYESHIELDS	A8
GA9-1	SINGLE LIGHTED EYESHIELD	A8
GA9S	PAIR EYESHIELDS W/ ON-OFF SWITCH	A8
GA11	PAIR EYESHIELDS	A8
DC8	DUST CONTROL UNIT	A8
BQ1-015-CC	1PH Brake, NEMA 1,110-125 VAC, 50/60Hz	P1
BQ1-015-CP	1PH Brake, Panel 110-125 VAC, 50/60 Hz	P1
BQ2-015-CC	1PH Brake,NEMA 1 208-230 VAC,50/60Hz	E7
BQ2-015-CP	1PH Brake, Panel 208-230 VAC, 50/60 Hz	E7

No performance data has been  
assigned to this product.

GBLY0413



CUSTOMER IS RESPONSIBLE FOR DETERMINING THAT MOTOR PERFORMANCE IS SUITABLE IN THE APPLICATION.

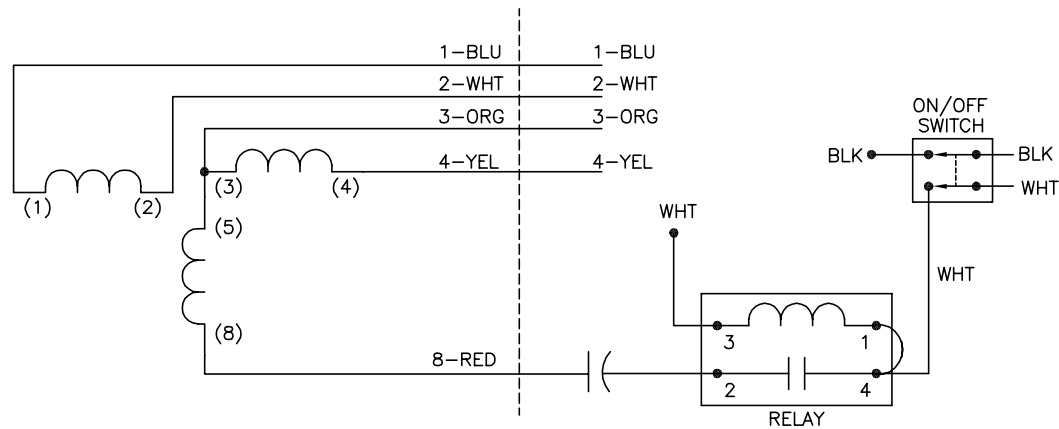
REV. DESC: NEW	VERSION: 00	TDR: 000000454143
REV. LTR: -	REVISED: 16: 32:43 01/24/2008	BY: ENGHECO
FILE: \AAA\00154\041		
MTL: -		

**Baldor • Dodge • Reliance**

STD 8" GRINDER MODEL 524C W/115V. CORD/PLUG W/ RELAY

GBLY0413

CD2033



	BLK	WHT	JOIN
HIGH VOLT	1	4	2,3
LOW VOLT	1,3	2,4	-

NOTES:

1. CONNECTIONS ARE SHOWN FOR OPPOSITE STANDARD ROTATION. FOR STANDARD ROTATION, INTERCHANGE (5) AND (8) INTERNALLY.
2. USE 4CR SERIES RELAY.
3. COLORS ARE OPTIONAL. LEADS MUST ALWAYS BE NUMBERED AS SHOWN.

CD2033

REV. DESC: WHITE WAS S1, BLACK WAS S2		
REV. LTR: D	VERSION: 04	TDR: 000000527918
FILE: \AAA\00154\040	REVISED: 04:09:58 02/05/2010	
MTL: -	BY: ENBRAMO	

**BALDOR • DODGE • RELIANCE**

TYPE L, DV, FIX, CURRENT RELAY, ON/OFF SW, GRINDER

SH 1 of 1