

# HARG-510 AIR REGULATOR AND GAUGE ASSEMBLY

**IMPORTANT:** Read and follow all **Instructions** and **Safety Precautions** before installing, operating or maintaining this equipment. Keep this manual for future reference.



**WARNING**

Improper use can cause bodily injury or equipment damage. Read the following:

- This air regulator and gauge assembly is intended only for use in general service air systems. Do not use for liquids or gases other than air.
- Do not use where pressure or temperature can exceed rated operating conditions (see specifications).
- Regulated outlet pressure must never be set higher than the maximum operating pressure of the downstream air tool or equipment. An outlet pressure gauge should always be used.

**CAUTION**

The accuracy of the indication of pressure gauges can change during shipment and normal use. If gauge accuracy is necessary for preventing risks of injury or property damage, the gauge should be checked before use and on a routine periodic basis. (See ANSI B40-1974 for gauge standards.)

CA PROP  
**65**

**PROP 65 WARNING:** This product contains chemicals known to the State of California to cause cancer and birth defects or other reproductive harm.

**SPECIFICATIONS**

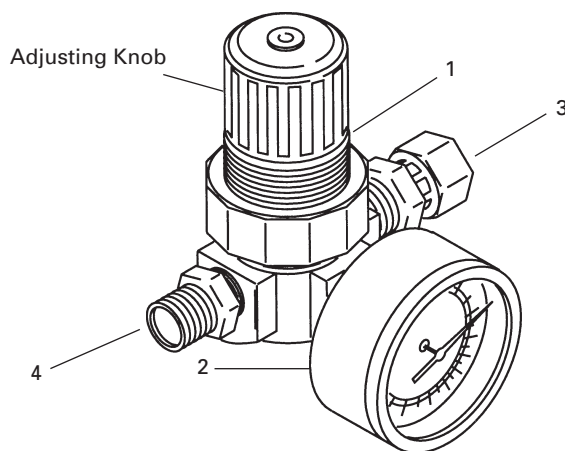
Type	Diaphragm, relieving
Inlet Size (Nipple)	1/4" NPS(M)
Outlet Size (Swivel Adapter)	1/4" NPS(F)
Gauge Port Size (two) in Regulator	1/8" NPT(F)
Gauge Range	0-160 PSIG
Rated Operating Conditions:	
Inlet Pressure	300 PSIG max.
Temperature	0° to 150° F with dewpoint less than air temp. below 35° F
*Outlet pressure adjustment range 5 to 100 PSIG.	

**\*Note**

This range is not minimum or maximum outlet pressure limit for the regulator. The regulator can be adjusted to zero PSIG outlet pressure and to pressures higher than 100 PSIG. However, this regulator should not be used to control pressures outside this specified range.

**CONSTRUCTION MATERIALS**

Bonnet and Valve Seat	Acetal
Diaphragm	PTFE/Buna-N/PTFE
Body	Zinc
Valve	PTFE



**PARTS LIST**

Ref. No.	Replacement Part No.	Description	Individual Parts Required
1		Air Regulator	1
2	GA-338	Pressure Gauge	1
3	SSP-8217-ZN	Swivel Adapter 1/4" NPT(M) X 1/4" NPS(F)	1
4	H-2008	Nipple 1/4" NPT(M) X 1/4" NPS(M)	1

See Pg. 2 for breakdown.

**DESCRIPTION**

This unit is used in a compressed air system to maintain a nearly constant outlet pressure despite change in inlet air pressure and changes in downstream flow requirements. It is also used for finer control of air at the spray device. The air setting can be locked in place by pushing the adjusting knob downward.

**IMPORTANT! DO NOT DESTROY**

It is the Customer's responsibility to have all operators and service personnel read and understand this manual. Contact your local DeVilbiss representative for additional copies of this manual.

**READ ALL INSTRUCTIONS BEFORE OPERATING THIS DEVILBISS PRODUCT.**

**INSTALLATION**

1. Install regulator as close as possible to the device being serviced. Regulator can be installed at any angle.
2. In systems with a cyclic demand, install regulator upstream of cycling control valves.
3. Air line piping should be same size as regulator ports.
4. Air flow must be in same direction as arrow on bottom of regulator body.

**OPERATION**

1. Before turning on system air pressure, turn adjusting knob full counterclockwise. This will close regulator to produce zero air pressure. The knob is locked in position when pushed downward towards the regulator body.
2. Turn on system air pressure.
3. Turn regulator adjusting knob clockwise until desired outlet pressure is reached.
4. To avoid minor readjustment after making a change in pressure setting, always approach the desired pressure from a lower pressure. When reducing from a higher to a lower setting, first reduce to some pressure less than that desired, then bring up to the desired point. Lock the pressure setting by pushing the knob downward.

**PREVENTATIVE MAINTENANCE**



**Risk of injury from pressurized components. Turn off inlet air pressure and bleed off remaining pressure before disassembly.**

1. Turn regulator knob counterclockwise until it stops.
2. Unscrew the bonnet from the regulator body, remove adjusting screw and nut, then the regulating spring (4), slip ring (5) and diaphragm (6). Using a screwdriver, unscrew the valve seat (7) and o-ring (8). Then remove valve (9) and valve spring (10).

**CLEANING**



**Do not submerge regulator in spray gun solvents or use solvents to clean regulator parts. Damage may occur to gauge or regulator components.**

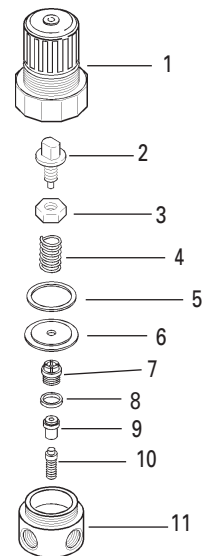
1. Clean parts using warm water and soap.
2. Inspect all parts and replace any damaged ones.

**Reassembly:**

1. At reassembly, apply a small amount of lubricant SSL-10 gun lube to adjusting screw threads inside bonnet.
2. Torque valve seat (7) to 4-6 in./lbs. (do not overtighten). Torque bonnet to 50-60 in./lbs.

Ref. No.	Description	Qty.
1	Bonnet	
2	Adjusting Screw	
3	Nut	
4	Regulating Spring	
*5	Slip Ring	1
*6	Diaphragm, PTFE Protected	1
*7	Valve Seat	1
*8	O-ring	1
*9	Valve, PTFE	1
*10	Valve Spring	1
11	Regulator Body	1

\* Included in KK-4887-2 Regulator Kit.



---

**NOTES**

## WARRANTY POLICY

DeVilbiss products are covered by Carlisle Fluid Technologies one year materials and workmanship limited warranty. The use of any parts or accessories, from a source other than Carlisle Fluid Technologies, will void all warranties. For specific warranty information please contact the closest Carlisle Fluid Technologies location listed below.

Carlisle Fluid Technologies reserves the right to modify equipment specifications without prior notice. DeVilbiss®, Ransburg®, MS®, BGK®, and Binks® are registered trademarks of Carlisle Fluid Technologies, Inc.

©2017 Carlisle Fluid Technologies, Inc.  
All rights reserved.

DeVilbiss is part of Carlisle Fluid Technologies, a global leader in innovative finishing technologies. For technical assistance or to locate an authorized distributor, contact one of our international sales and customer support locations.

### USA/Canada

info@carlisleleft.com  
Tel: 1-888-992-4657  
Fax: 1-888-246-5732

### Mexico

ventas@carlisleleft.com.mx  
Tel: +52 55 5321 2300  
Fax: +52 55 5310 4790

### Germany

info@carlisleleft.eu  
Tel: +49 (0) 6074 403 1  
Fax: +49 (0) 6074 403 281

### United Kingdom

info@carlisleleft.eu  
Tel: +44 (0)1202 571 111  
Fax: +44 (0)1202 573 488

### Japan

overseas-sales@carlisleleft.co.jp  
Tel: +81 45 785 6421  
Fax: +81 45 785 6517

### Australia

sales@carlisleleft.com.au  
Tel: +61 (0) 2 8525 7555  
Fax: +61 (0) 2 8525 7575

### China

mkt@carlisleleft.com.cn  
Tel: +8621-3373 0108  
Fax: +8621-3373 0308

### Brazil

vendas@carlisleleft.com.br  
Tel: +55 11 5641 2776  
Fax: +55 11 5641 1256

For the latest information about our products, visit [www.carlisleleft.com](http://www.carlisleleft.com).



DeVilbiss Automotive Refinishing is part of Carlisle Fluid Technologies, a global leader in innovative finishing technologies. For technical assistance or to locate an authorized distributor, contact one of our international sales and customer support locations.

### USA/Canada

[www.autorefinishdevilbiss.com](http://www.autorefinishdevilbiss.com)  
askus@carlisleleft.com  
Toll Free Tel: 1-800-445-3988  
Toll Free Fax: 1-800-445-6643

### Mexico

[www.autorefinishdevilbiss.com.mx](http://www.autorefinishdevilbiss.com.mx)  
Toll Free Tel: 1-888-835-6232 USA