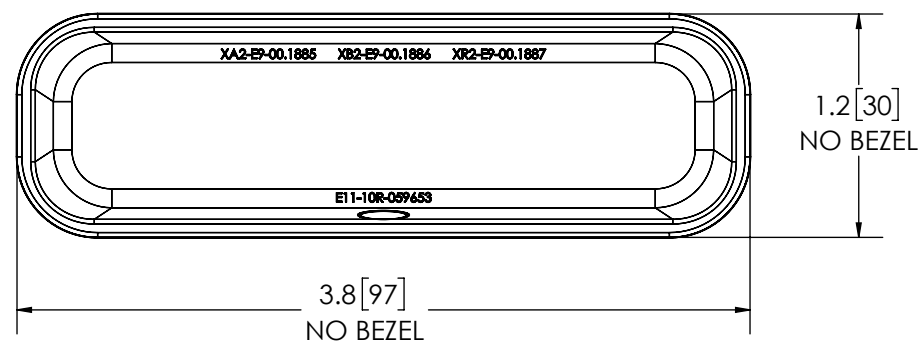
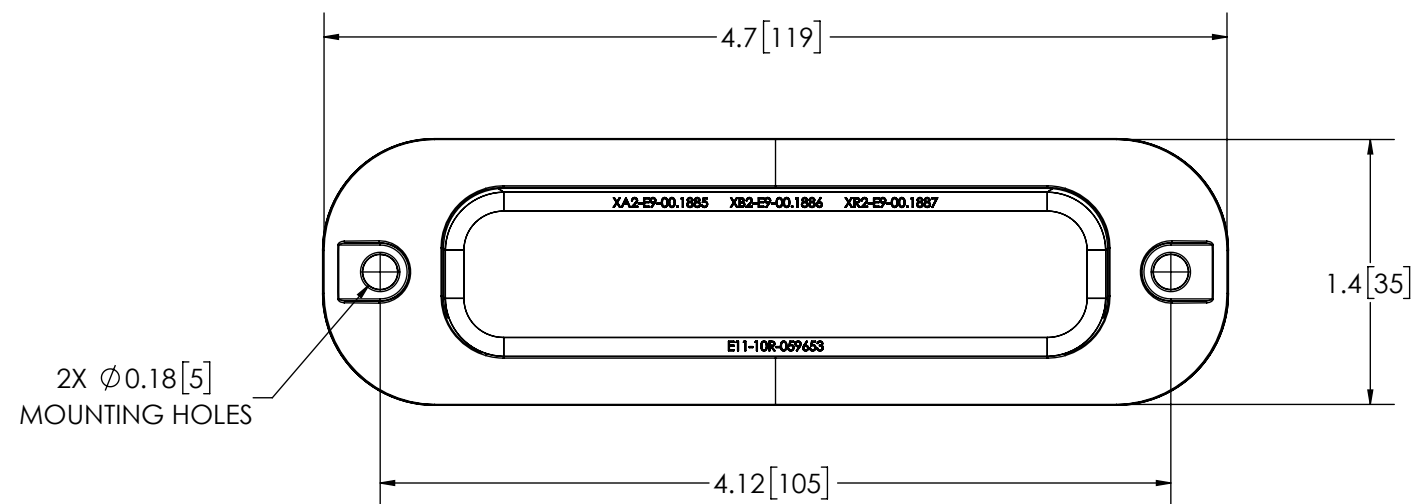
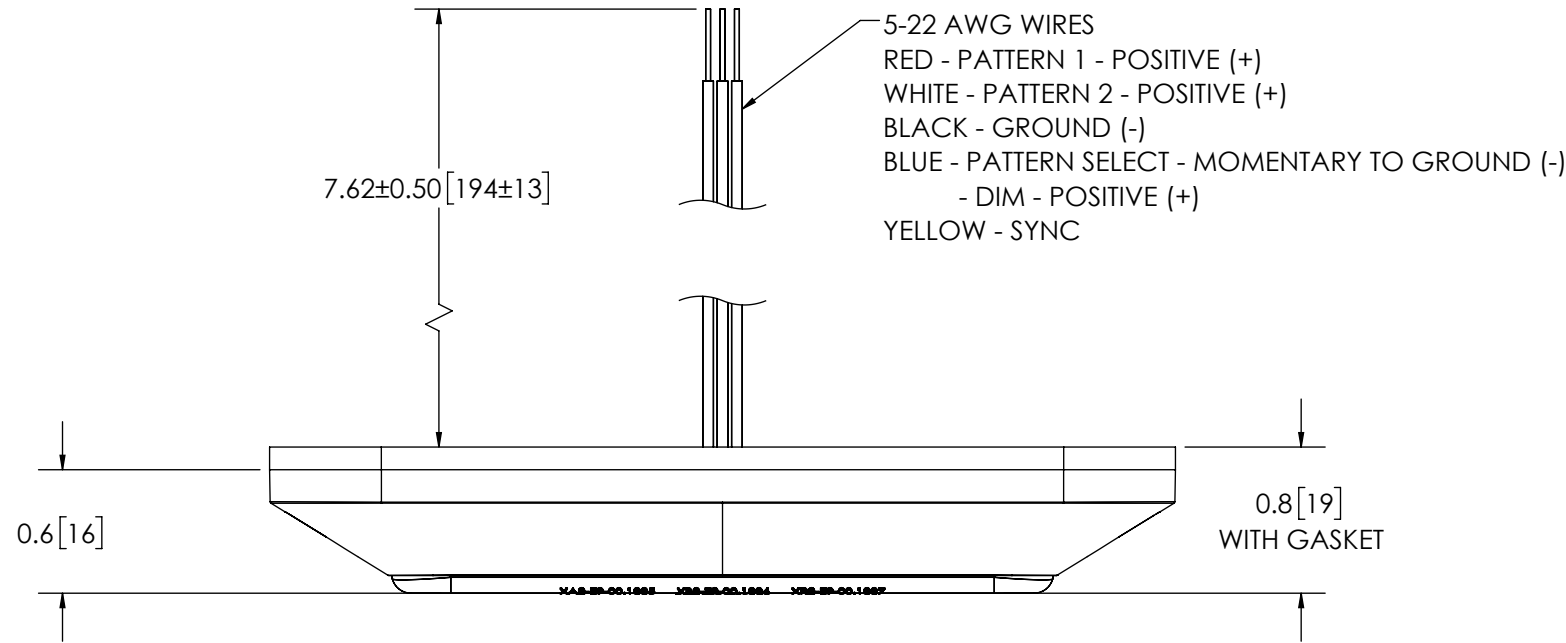


REVISION HISTORY		
REV.	DESCRIPTION	DATE
03	REVISED PER C14031	2019-02-20
A	INITIAL RELEASE PER C14031	2019-03-14
B	REVISED PER EC6091	2021-06-28

### SPECIFICATIONS

- CERTIFICATIONS: IP67; REG10; SEE CHART FOR SAE J595, CA TITLE 13 AND REG65  
 Note: Unique components, accessories, and hardware kits are not typically Included in the Product Certification Test Protocols. Unless otherwise Specified, the Product Certifications referred to herein are predicated upon the base product model configuration.
- FLASH MODE: SINGLE : 75 ± 5 FLASHES PER MINUTE  
 QUINT : 150 ± 5 FLASHES PER MINUTE  
 SINGLE : 120 ± 5 FLASHES PER MINUTE
- VOLTAGE (NOMINAL): 12-24 VDC
- VOLTAGE (EXTREME): 9-32 VDC
- CURRENT (PEAK): SEE CHART
- POWER (MAXIMUM): SEE CHART
- TEMPERATURE RANGE: -40°F (-40°C) TO 149°F (65°C)
- CONNECTION: 5 - 22 AWG WIRES
- MOUNTING: 2 BOLT
- BASE MATERIAL: POLYCARBONATE
- LENS MATERIAL: POLYCARBONATE
- PRODUCT WEIGHT: 0.13 LBS (0.06 Kg)



- NOTES:  
 1. ROHS COMPLIANT  
 2. DIMENSIONS IN INCHES[MILLIMETERS (FOR REFERENCE)]

FGS. PRODUCT CHART					
FGS. NO.	COLOR	CURRENT (PEAK) A	POWER (MAX) W	SAE J595	CA TITLE 13
ED3704AC	AMB/WHT	0.6	7.7	CLASS 1	CLASS B (AMB ONLY)
ED3704AB	AMB/BLU	0.6	7.5	CLASS 1	CLASS B
ED3704BC	BLU/WHT	0.6	7.7	CLASS 1	CLASS B (BLU ONLY)
ED3704AR	AMB/RED	0.6	7.5	CLASS 1	CLASS B
ED3704RB	RED/BLU	0.6	7.2	CLASS 1	CLASS B
ED3704RC	RED/WHT	0.6	7.7	CLASS 1	CLASS B (RED ONLY)

SCALE 1:1	APPROVALS	DATE	 Americas (800) 635-5900   Europe +44 (0)113 237 5340   Asia Pacific +61 (0)3 63322444
CAD GENERATED DRAWING DO NOT MANUALLY UPDATE. MODEL REFERENCED: C	DRAWN BY BTK	2021-06-21	
TOLERANCES ARE IN INCHES, AND MILLIMETERS TOLERANCES UNLESS OTHERWISE STATED ARE:	CHECKED MDH	2021-06-22	
XX ± 1.0mm XX.X ± 0.5mm	MECH. ENG. NMT	2021-06-21	
XX ± 0.1 XX.X ± 0.04 XX.XX ± 0.02	ELEC. ENG. SPO	2021-06-21	<b>4 LED, SURFACE MNT, SPLIT, 12-24VDC</b>
ANGLES ± 0.5° FRACTIONS ± 1/64	TEST ENG. JRT	2021-06-24	
THIRD ANGLE PROJECTION	SALES		CUSTOMER PART NO. SEE CHART PRODUCT SERIES: ED3704
			SIZE: B DWG. NO. ED3704XX SHEET 1 OF 1 Project: C14031 Date Created: 2018-12-10
Electronically Controlled Use Latest Copy			REV. B